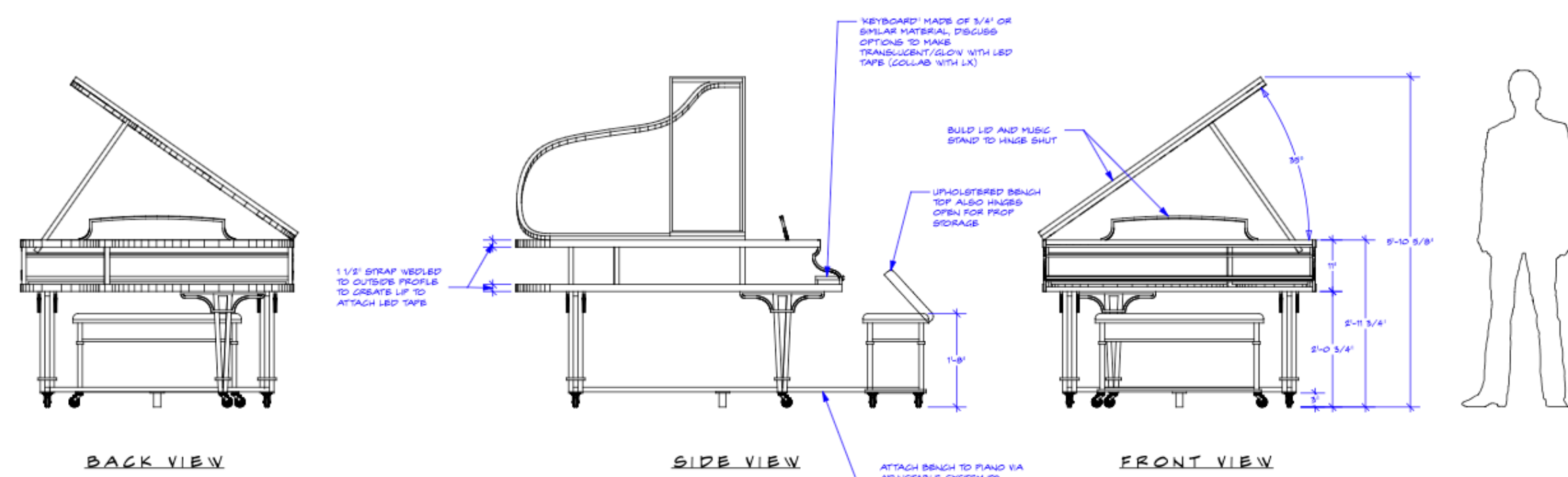
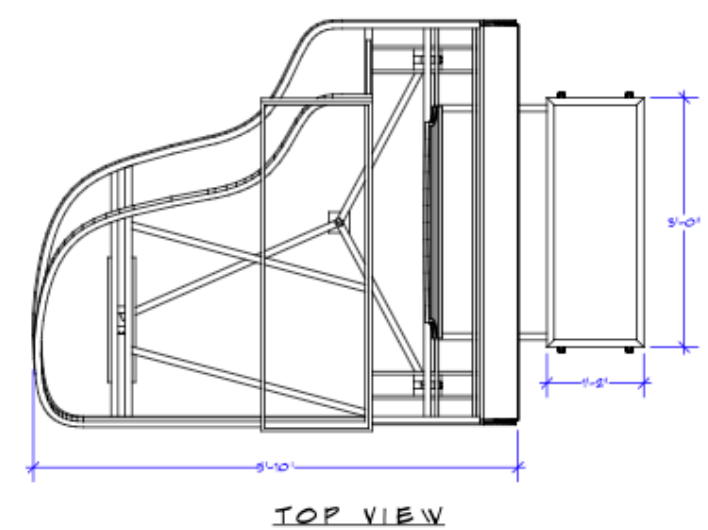


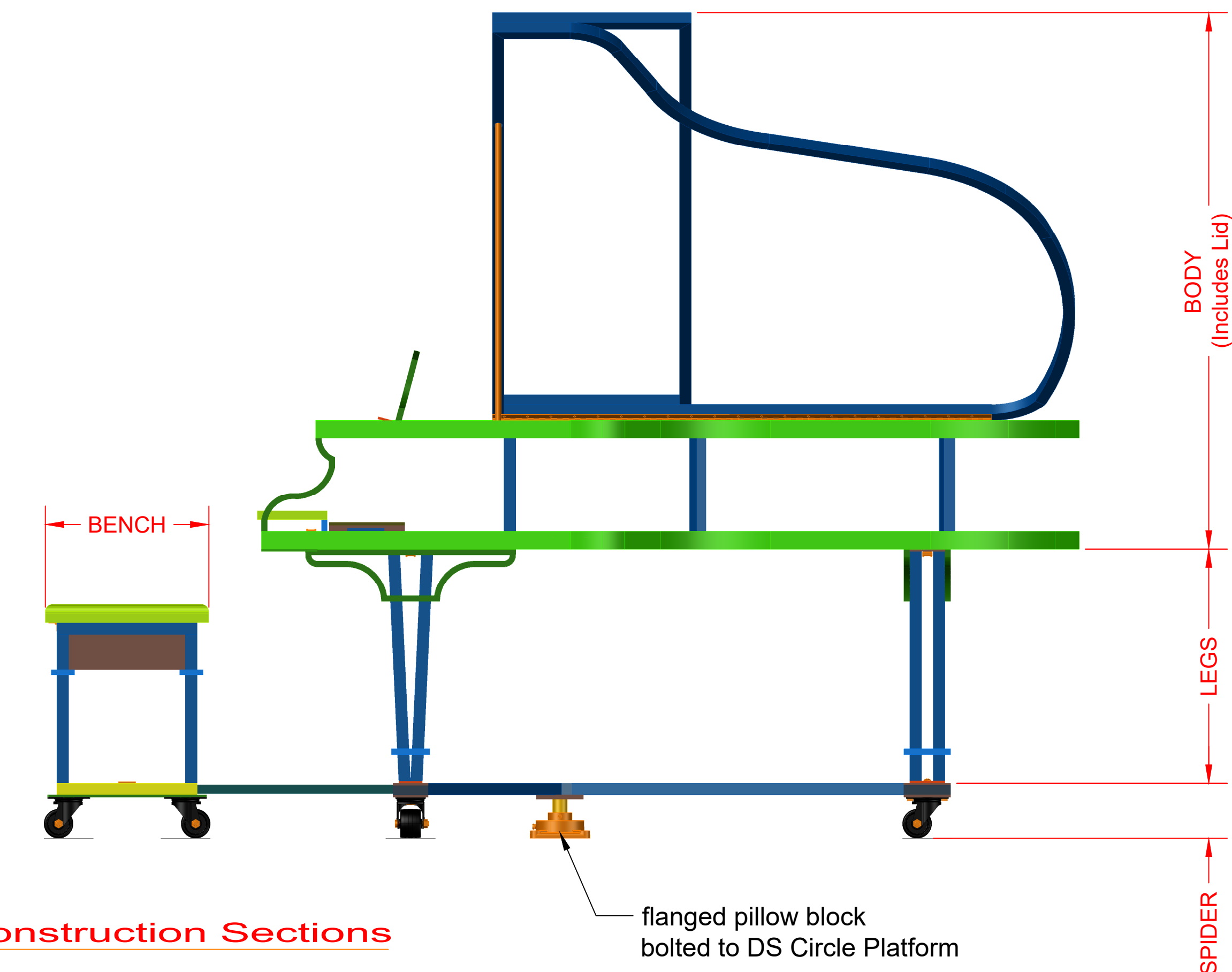
1 Overview
P.1



NOTES:
FABRICATE UNIT FROM SQUARE TUBE STEEL
DISCUSS ZONES TO INSTALL LED TAPE --
COORDINATE WITH LX
PULL UNIT ON CASTERS WITH CENTER PIVOT,
CONSTRUCT SO PERFORMER CAN RIDE ON
UNIT AS IT IS SPUN
*UNIT PAINTED METALLIC BRASS, MEDIUM SHEEN



SCULPTURAL PIANO UNIT
SCALE: 3/4" = 1'-0"



3 Construction Sections
P.1

LABEL CODING

PIANO

Date 9.30.2025

Drawn jks

Tech Dir. bh

Designer Eli Sherlock

File Name PIANO.DWG

Scale

Production
MY NAME
IS
FLORENCE

Drawing Title
PIANO
OVERVIEW

Revision #

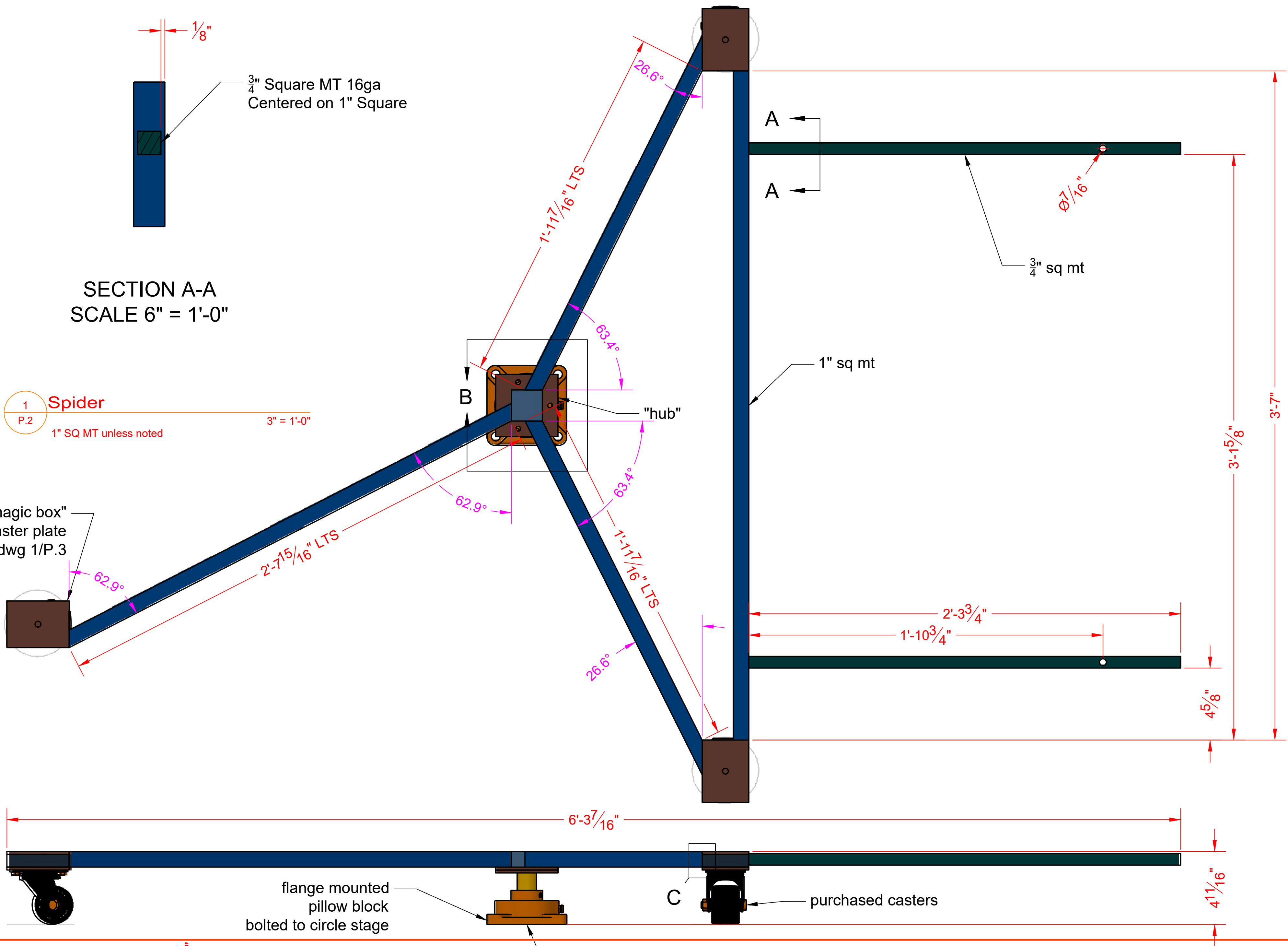
0

Drawing #

P.1

2 Design Drawing
P.1

SECTION A-A
SCALE 6" = 1'-0"



1 Spider
P.2
1" SQ MT unless noted
3" = 1'-0"

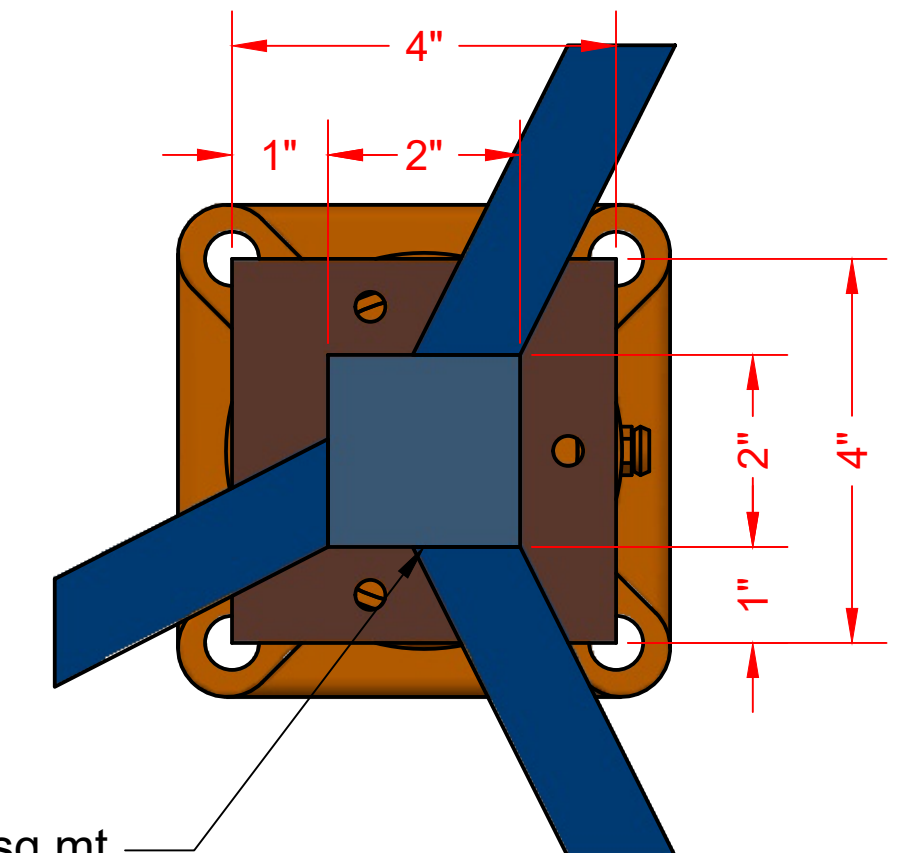
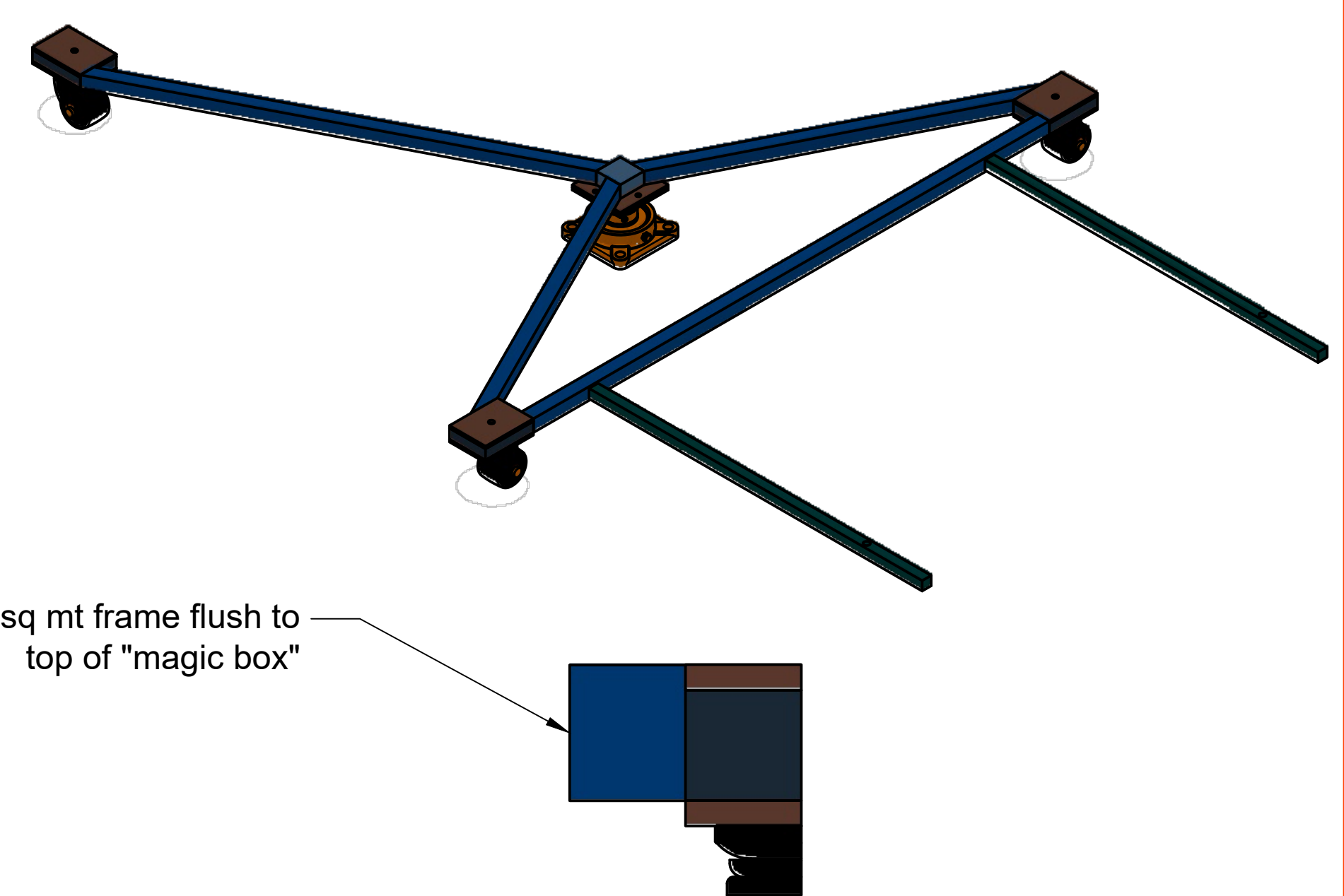
"magic box"
caster plate
see dwg 1/P.3

flange mounted
pillow block
bolted to circle stage

purchased casters

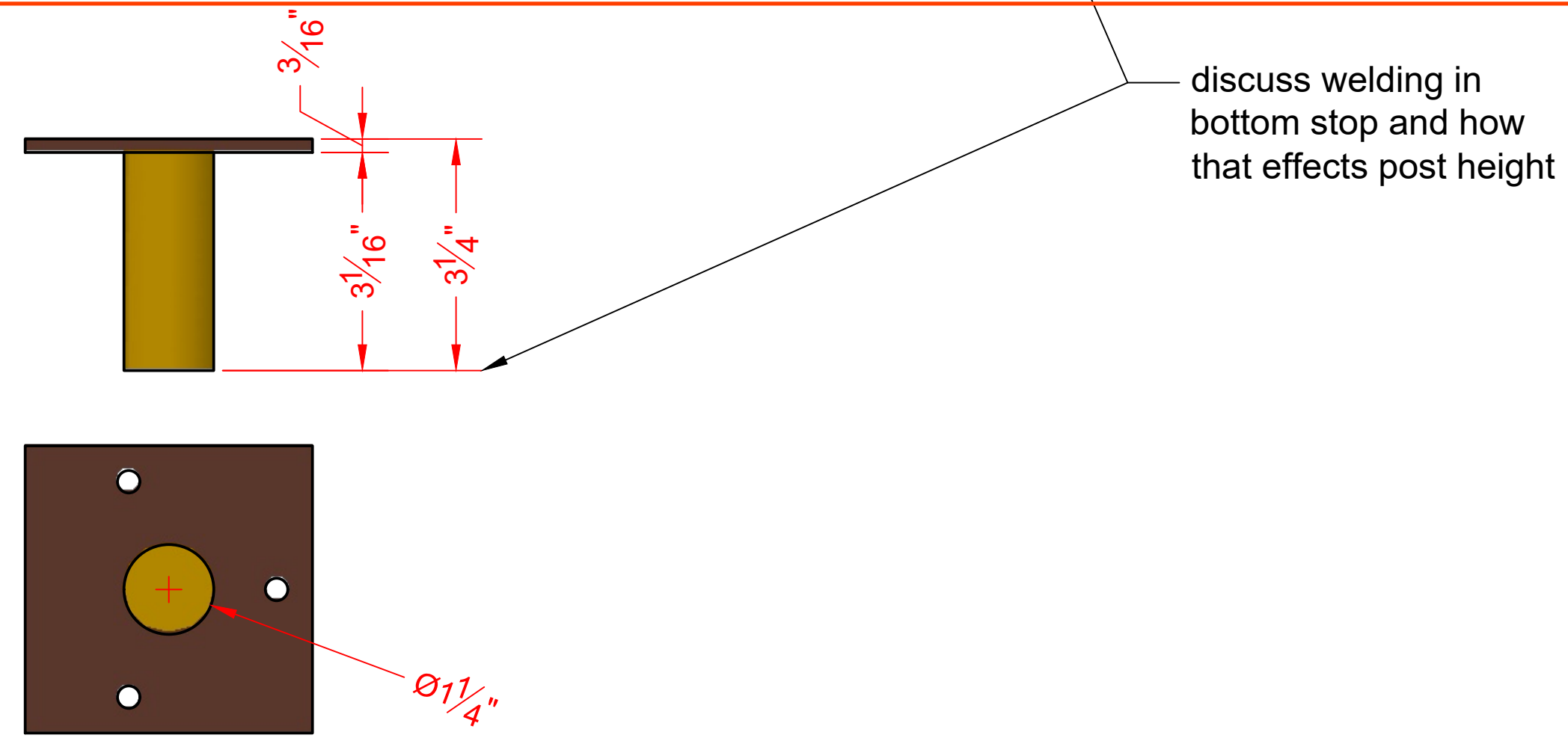
1" sq mt frame flush to
top of "magic box"

DETAIL C
SCALE 1'-0" = 1'-0"



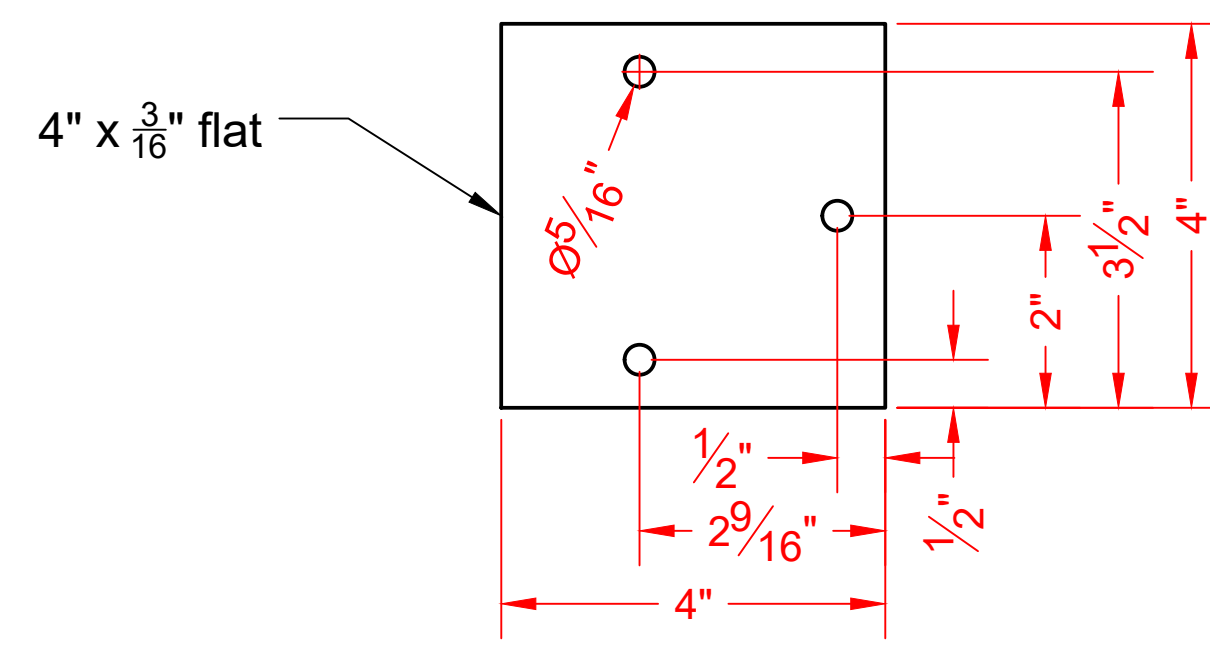
2" sq mt
1" tall
knock in plastic cap on top

DETAIL B
SCALE 6" = 1'-0"



discuss welding in
bottom stop and how
that effects post height

P.2 Pivot Post
Make 1
3" = 1'-0"



P.2 Hub Mounting Plate
Make 2 (1 for pivot post on DWG XX XX)
3" = 1'-0"

LABEL CODING

PIANO

Date 9.30.2025

Drawn jks

Tech Dir. bh

Designer Eli Sherlock

File Name PIANO.DWG

Scale

Production
MY NAME
IS
FLORENCE

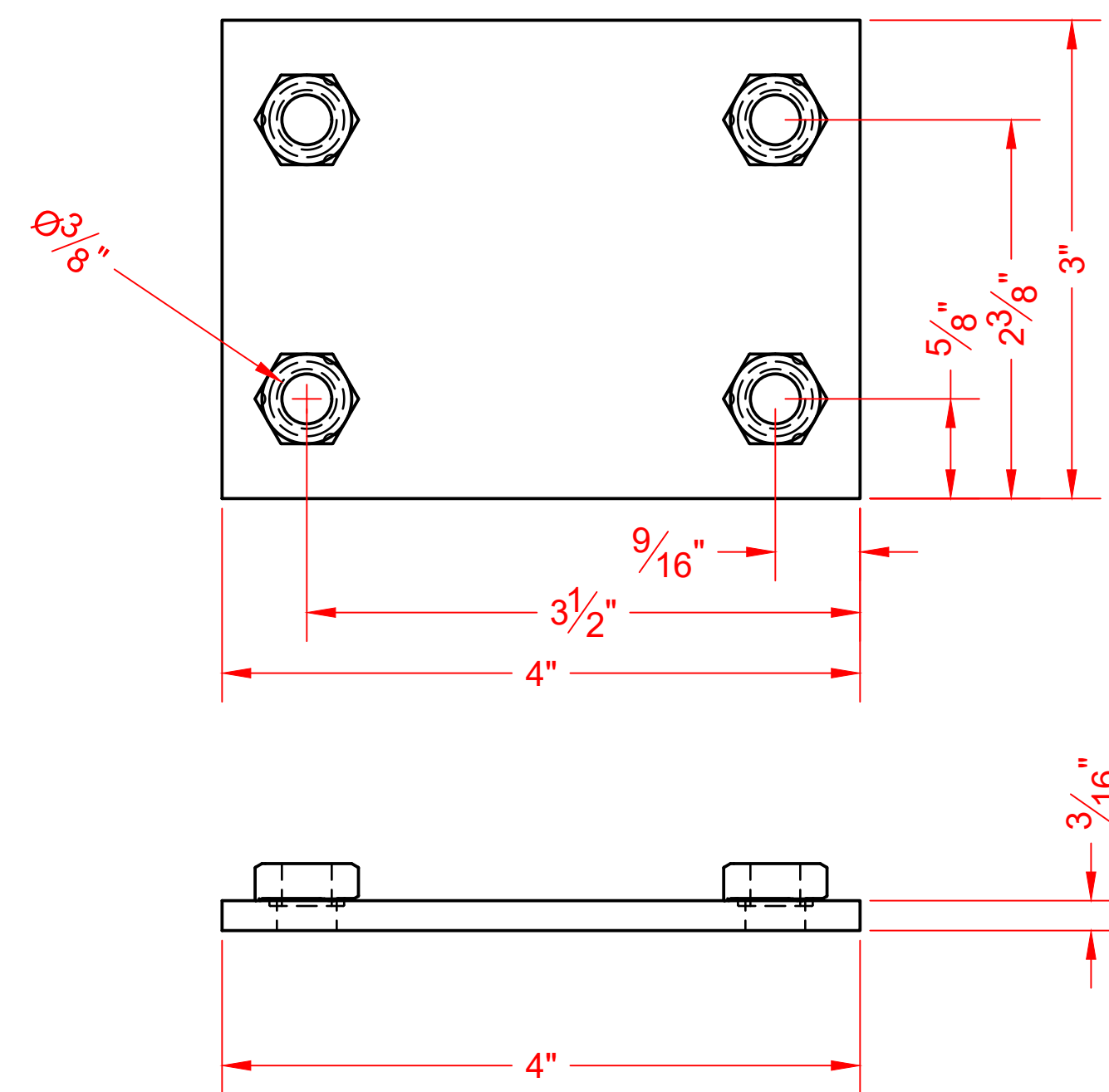
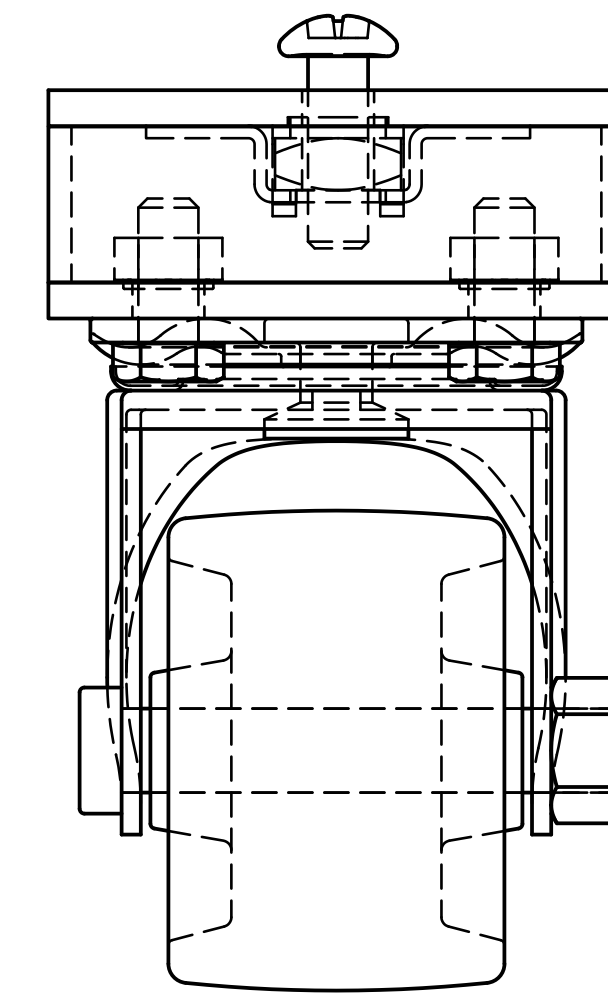
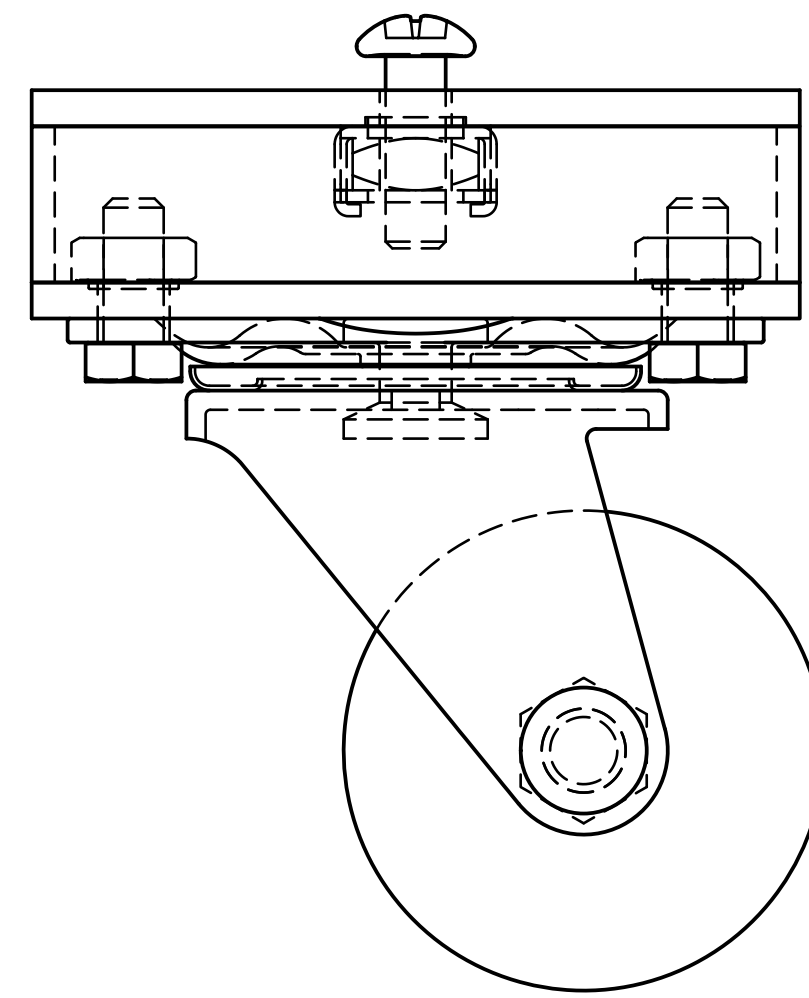
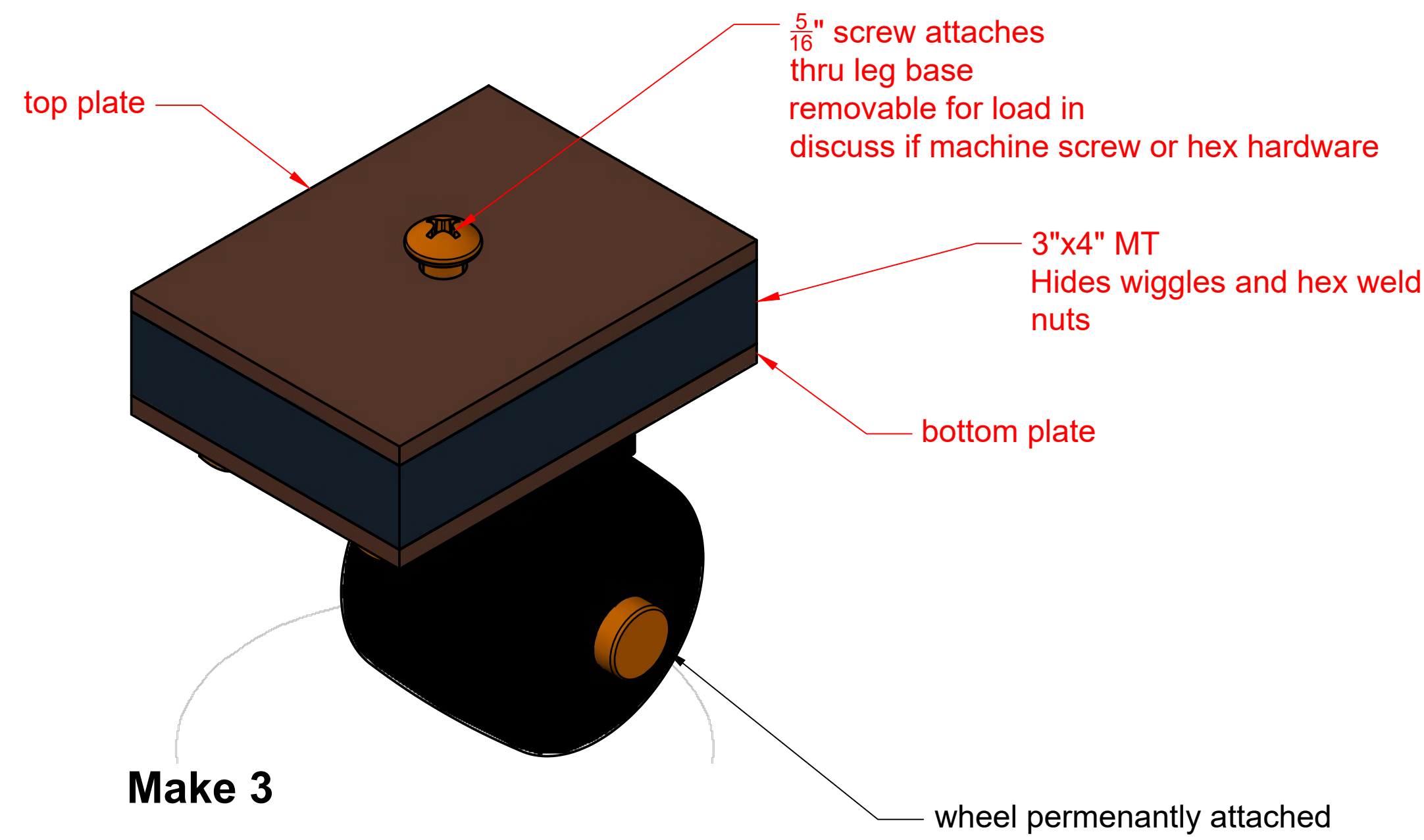
Drawing Title
PIANO
SPIDER

Revision #
0

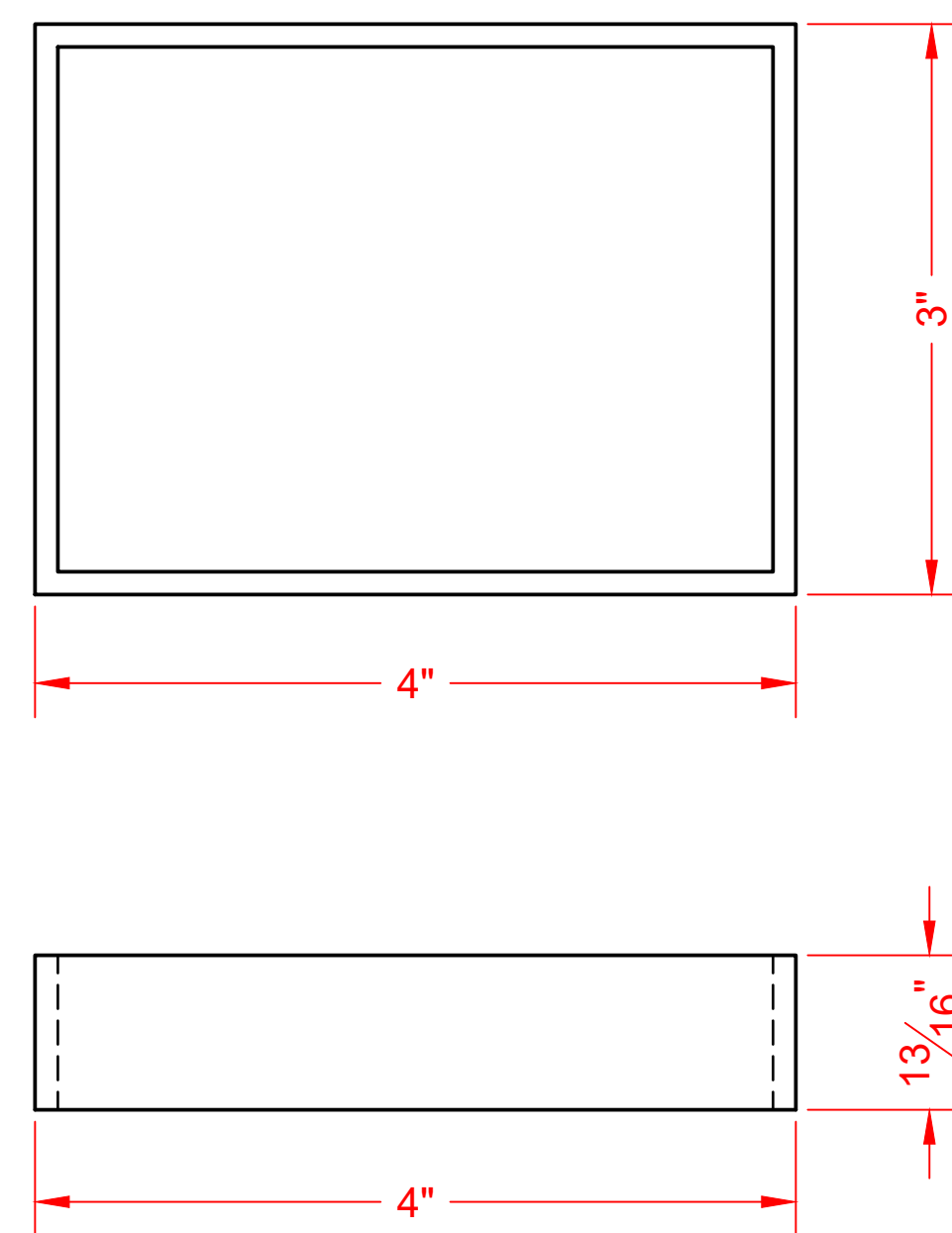
Drawing #

P.2

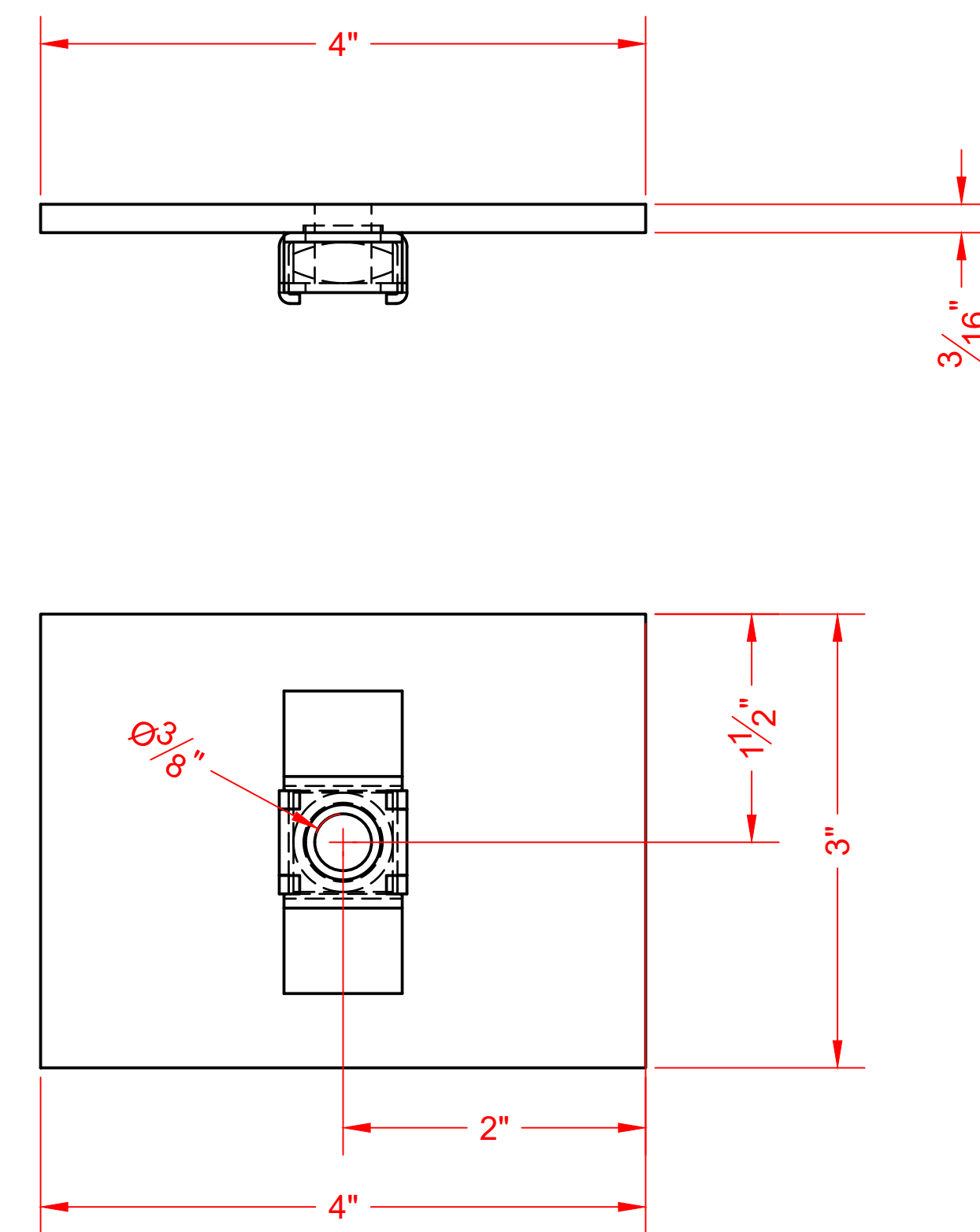
ALL HARDWARE FOR THIS $\frac{5}{16}$ "



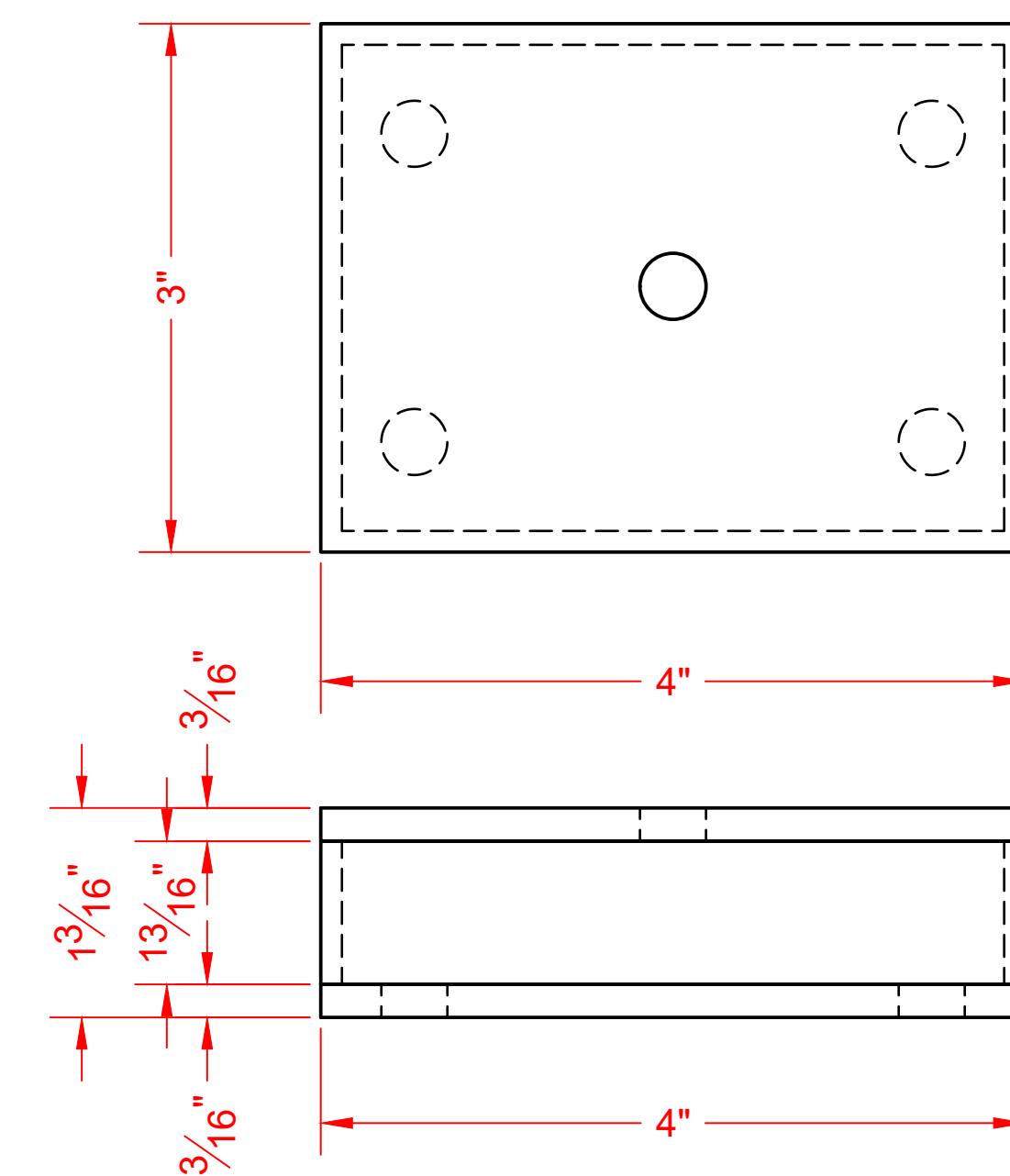
1 Bottom Plate
P.2
3/16" x 3" Flat Bar
5/16" Hex Weld Nuts
3" = 1'-0"



2 3"x4" MT
P.2
No Hardware
Hiding all bolt and nut hardware
3" = 1'-0"



3 Top Plate
P.2
3/16" x 3" Flat Bar
5/16" Wiggle Nut
3" = 1'-0"



4 Overall
P.2
3/16" x 3" Flat Bar
5/16" Wiggle Nut
3" = 1'-0"

LABEL CODING

PIANO

Date 9.30.2025

Drawn jks

Tech Dir. bh

Designer Eli Sherlock

File Name PIANO.DWG

Scale

Production

MY NAME
IS
FLORENCE

Drawing Title

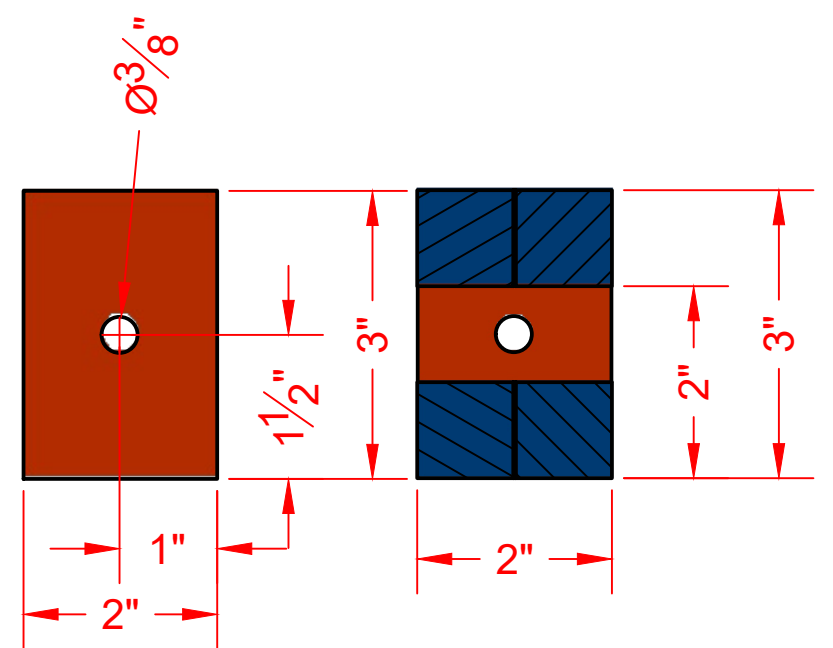
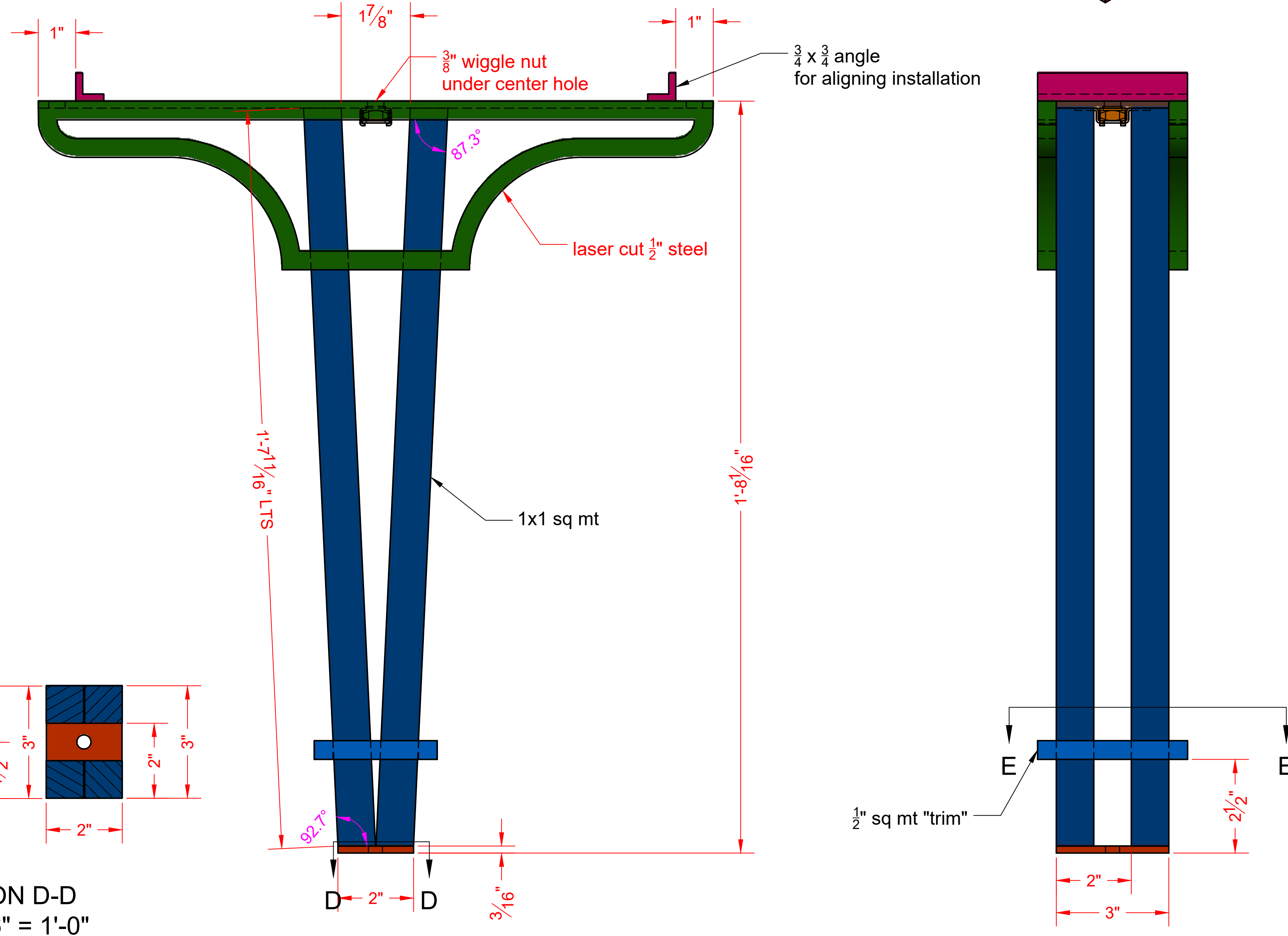
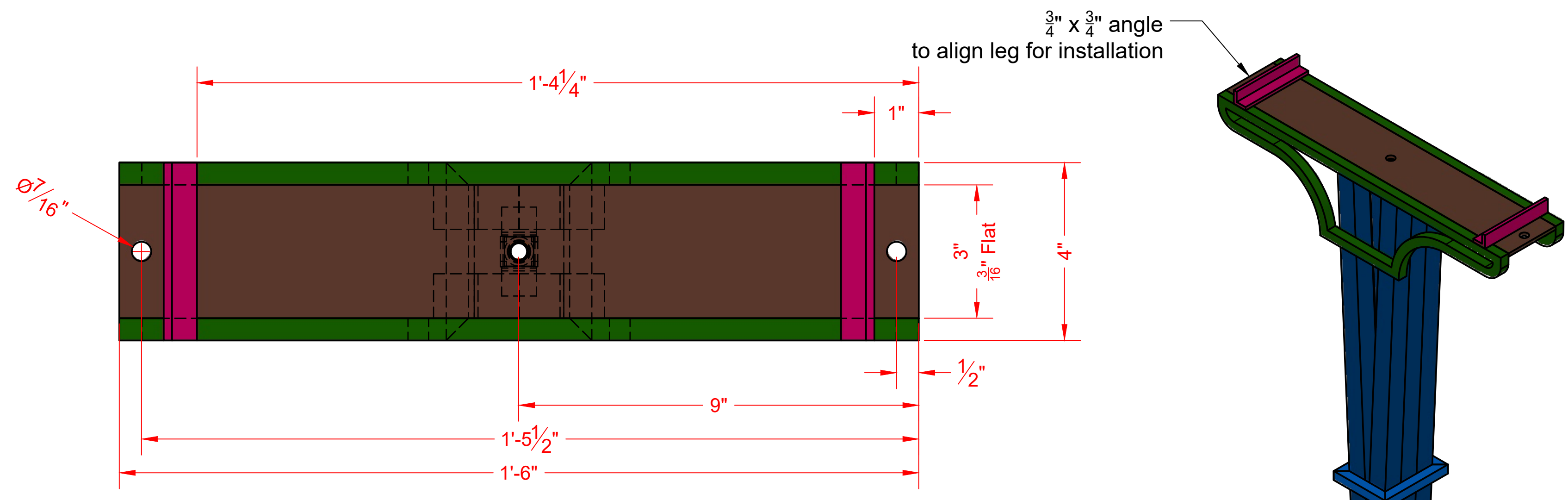
PIANO
SPIDER
MAGIC
BOX

Revision #

0

Drawing #

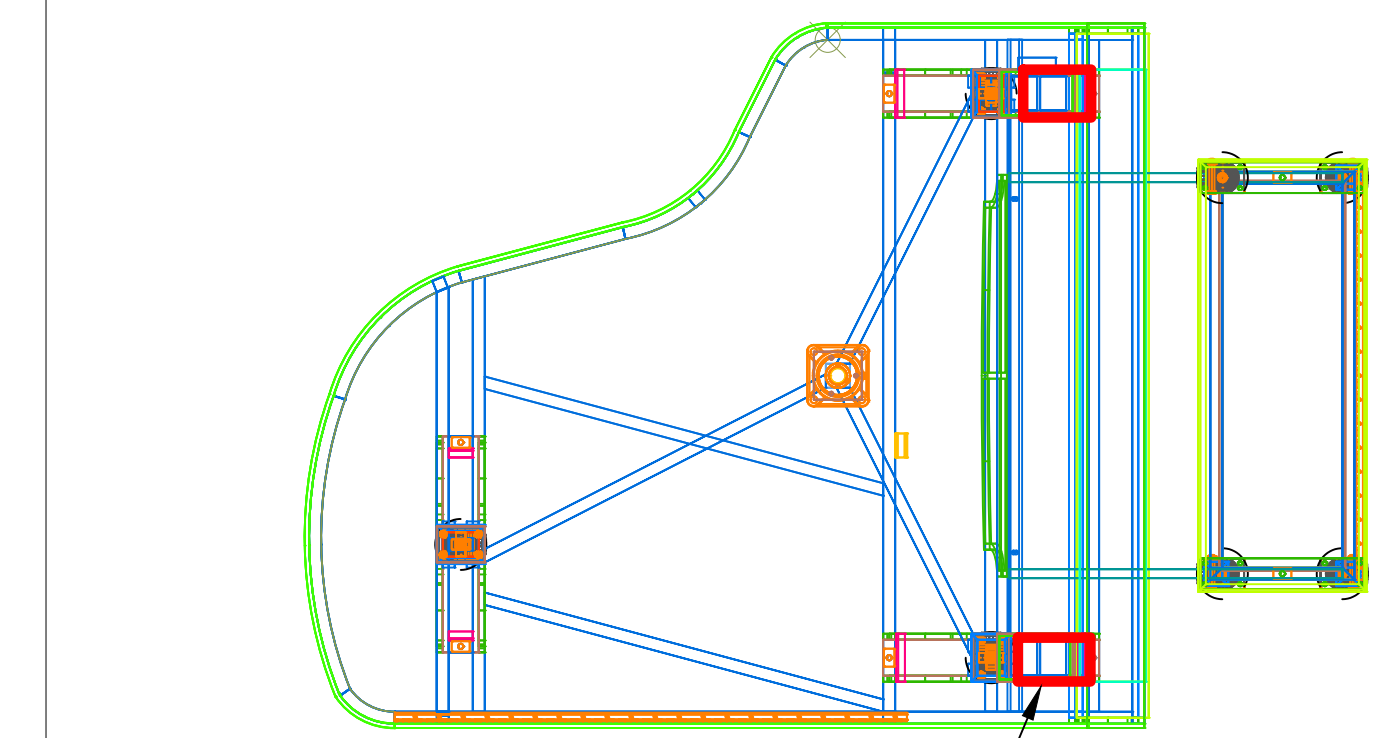
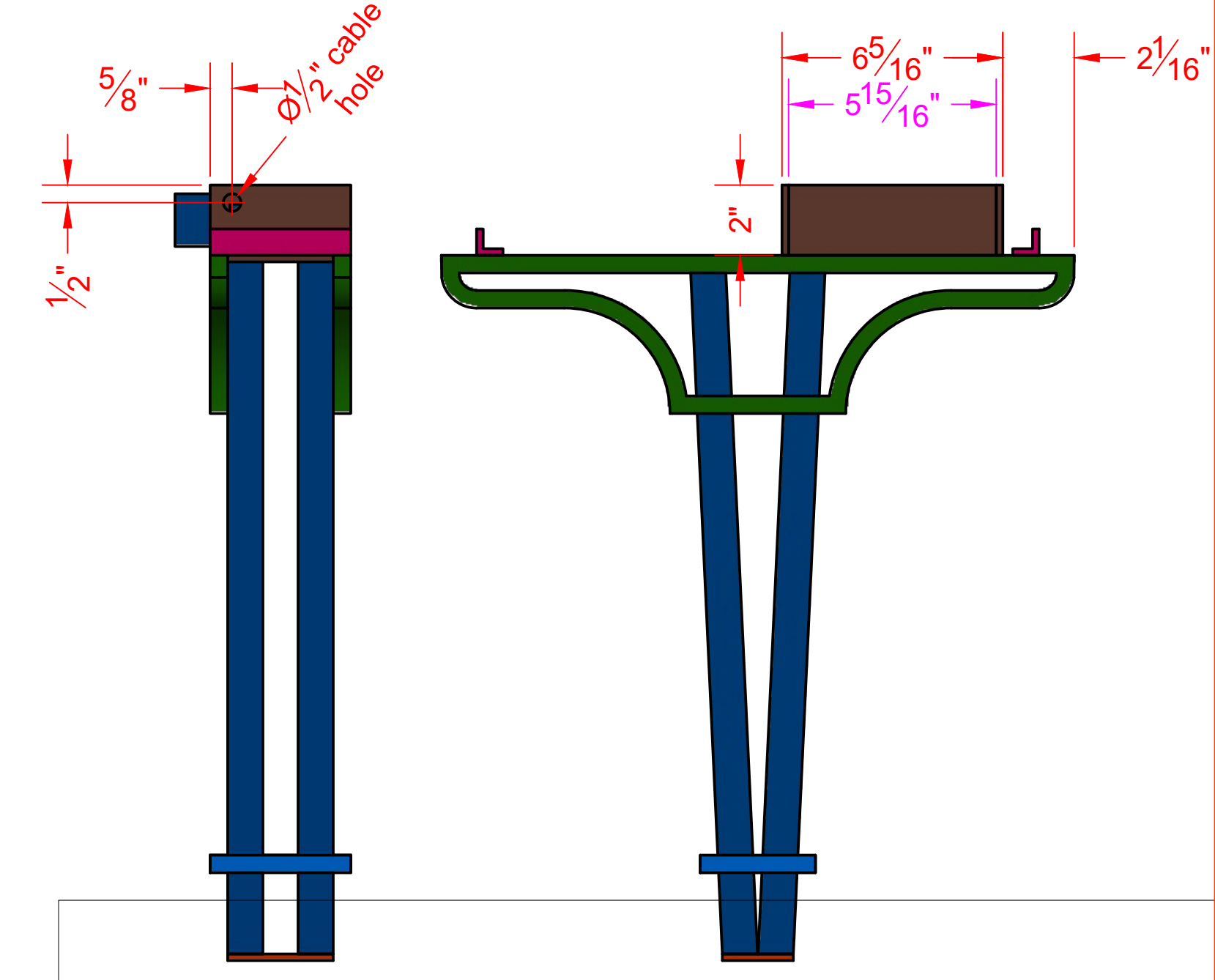
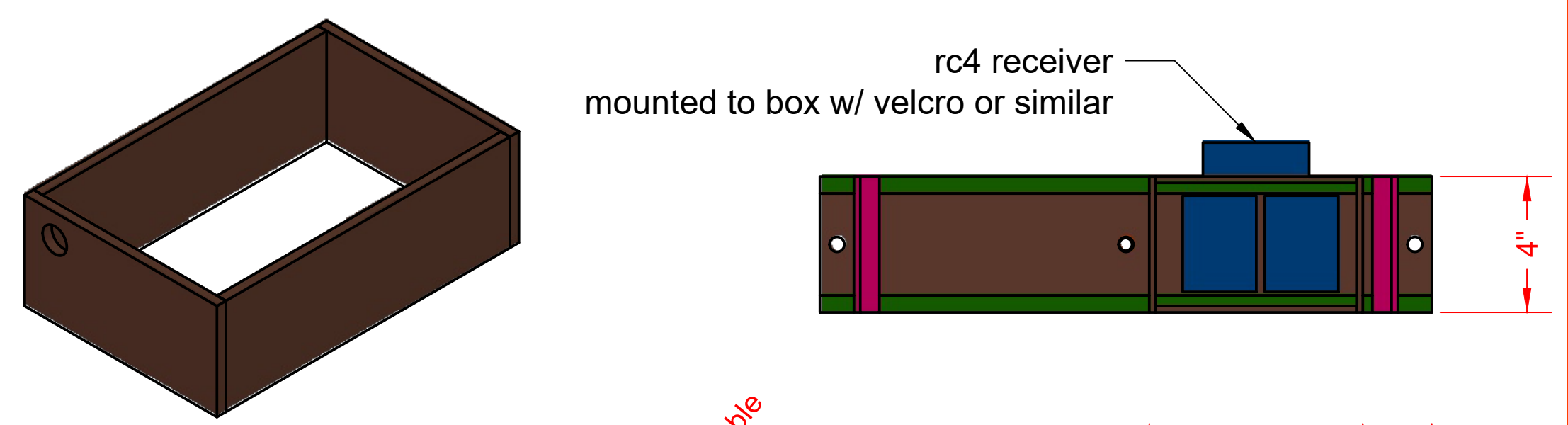
P.3



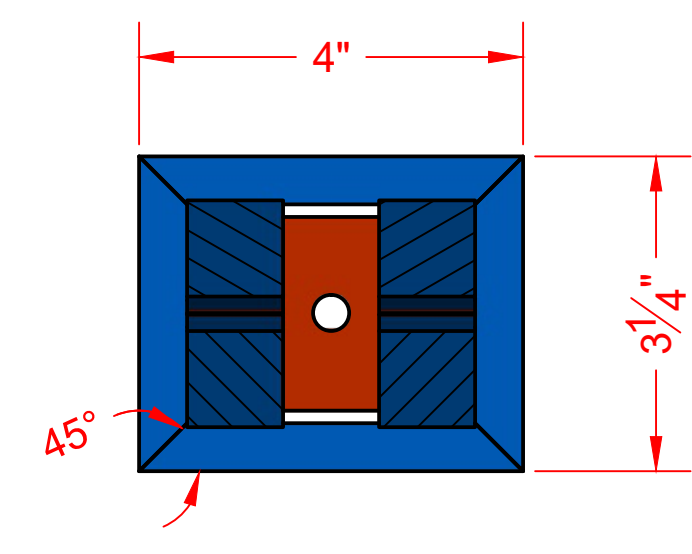
SECTION D-D
SCALE 6" = 1'-0"



1 Leg
P.3 Make 3



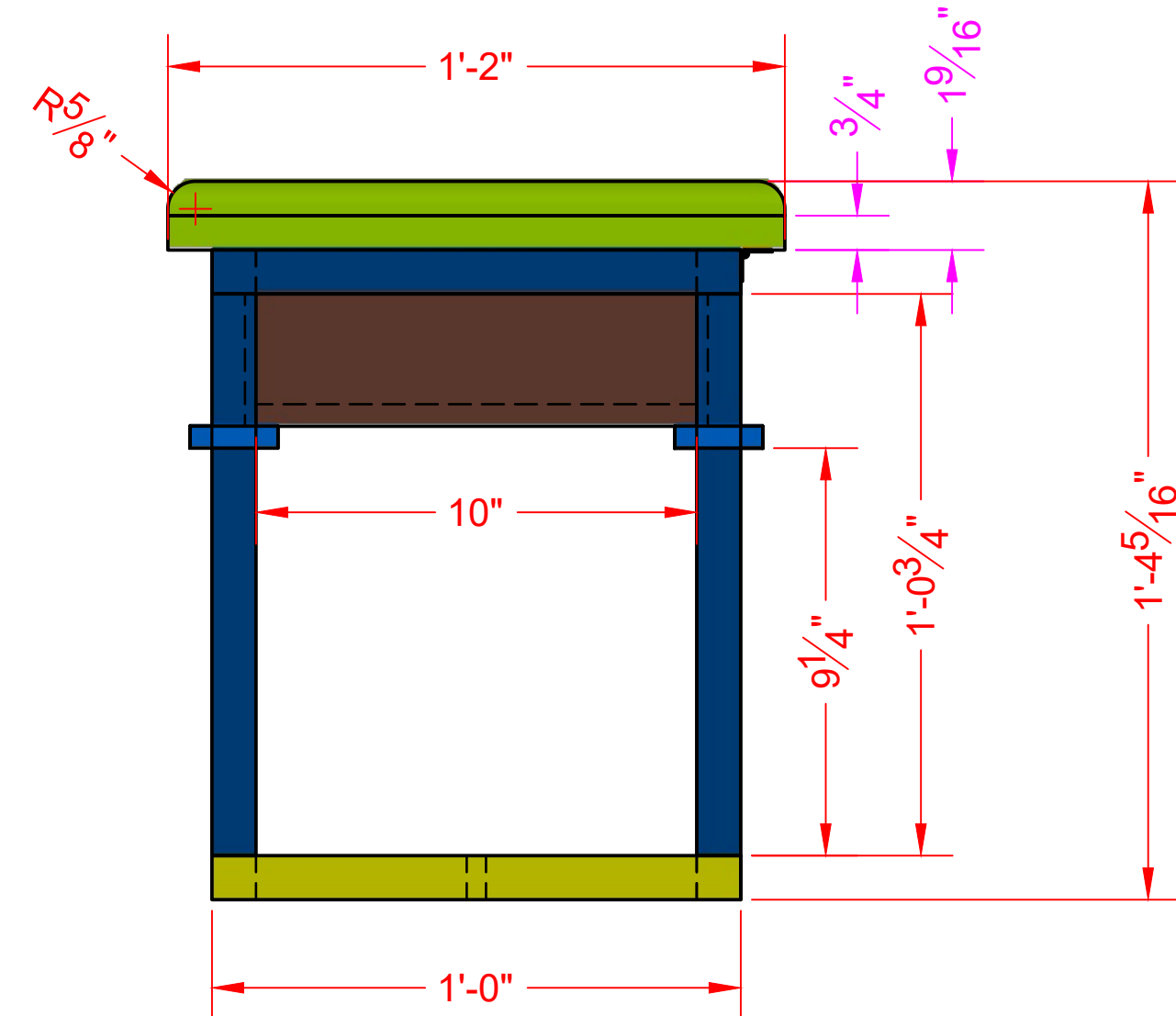
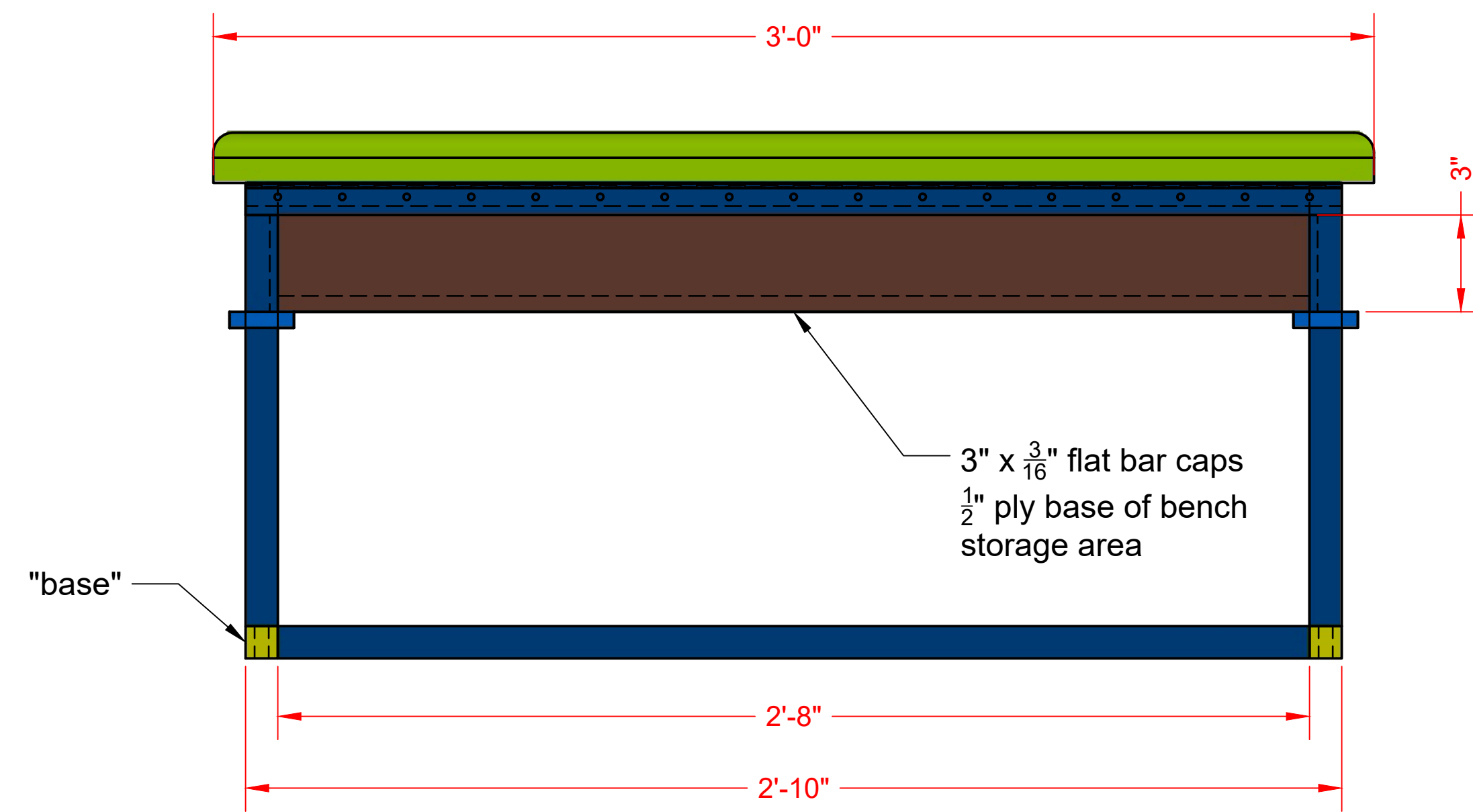
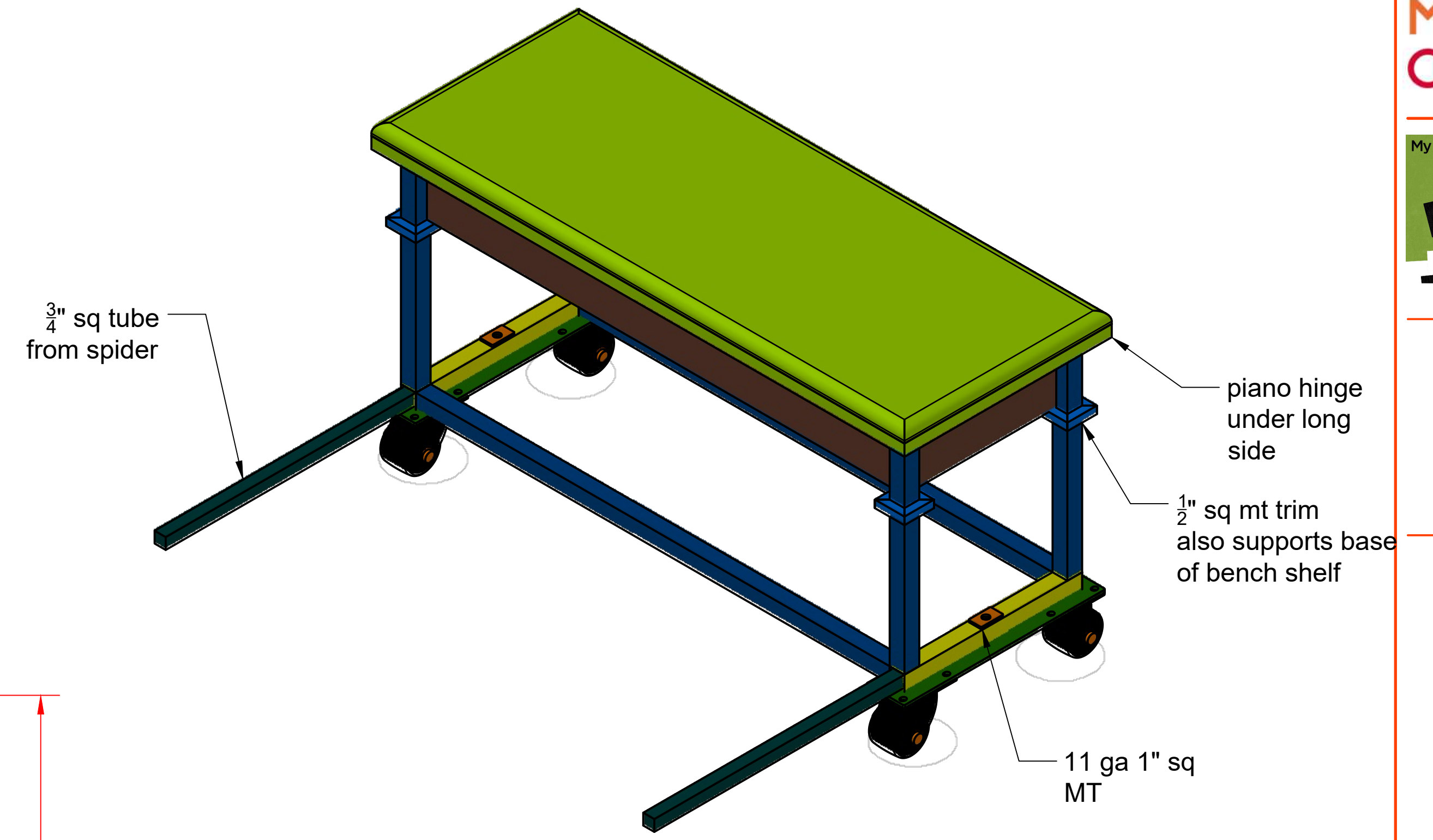
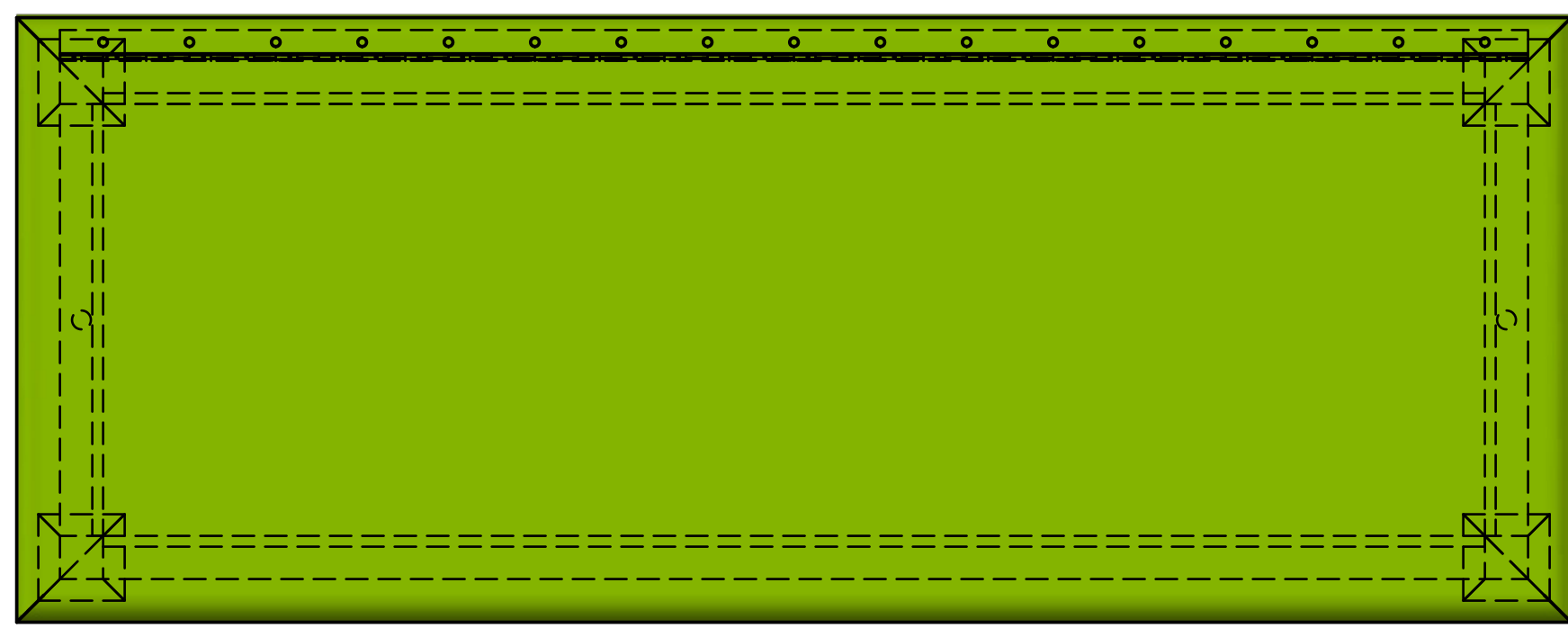
battery box locations



SECTION E-E
SCALE 6" = 1'-0"



LABEL CODING	
PIANO	
Date	10.03.25
Drawn	jks
Tech Dir.	bh
Designer	Eli Sherlock
File Name PIANO.DWG	
Scale	
Production	
MY NAME IS FLORENCE	
Drawing Title	
PIANO LEG	
Revision #	0
Drawing #	
P.4	



1 Bench
P.5 3" = 1'-0"

LABEL CODING

PIANO

Date 10.03.25

Drawn jks

Tech Dir. bh

Designer Eli Sherlock

File Name PIANO.DWG

Scale

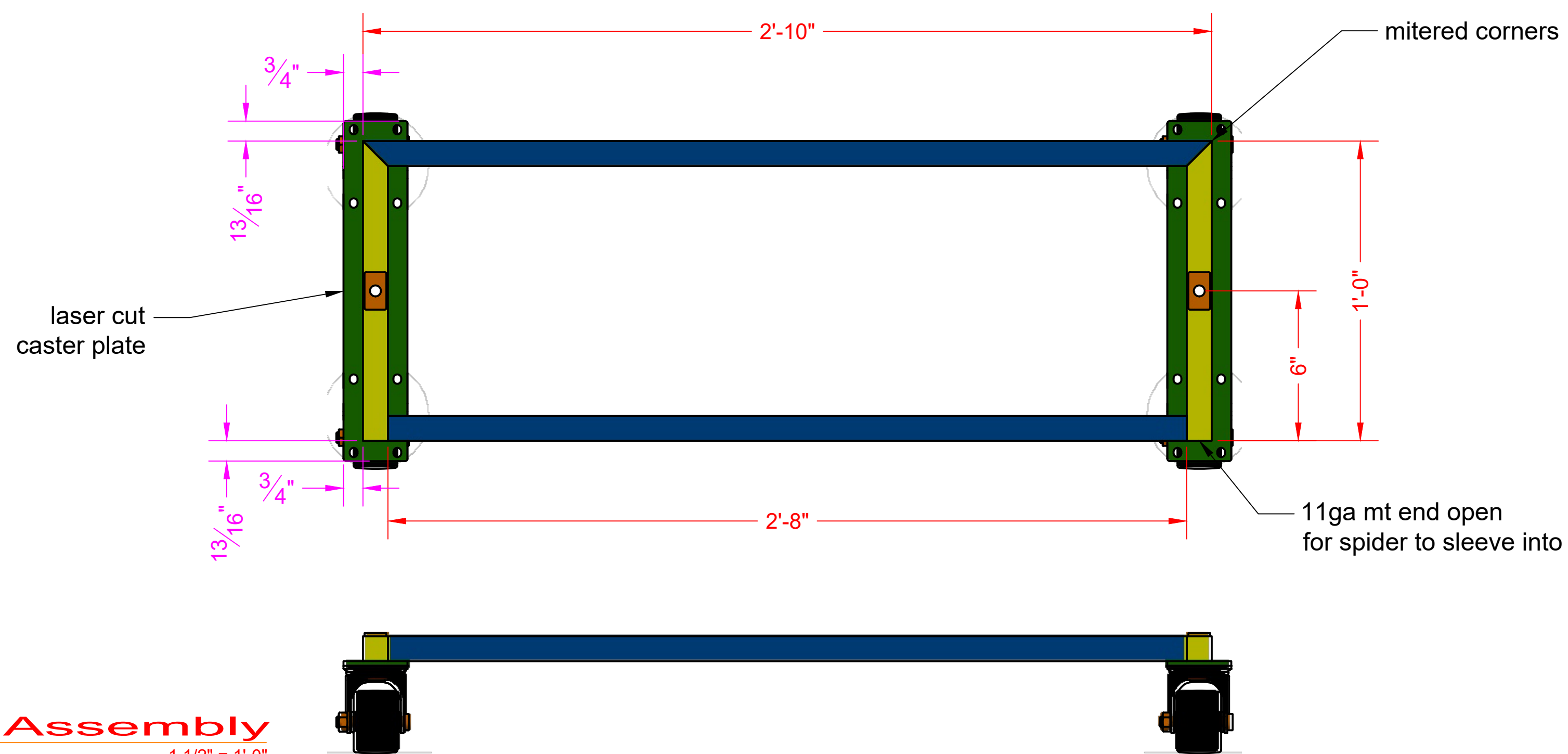
Production
MY NAME
IS
FLORENCE

Drawing Title
PIANO
BENCH

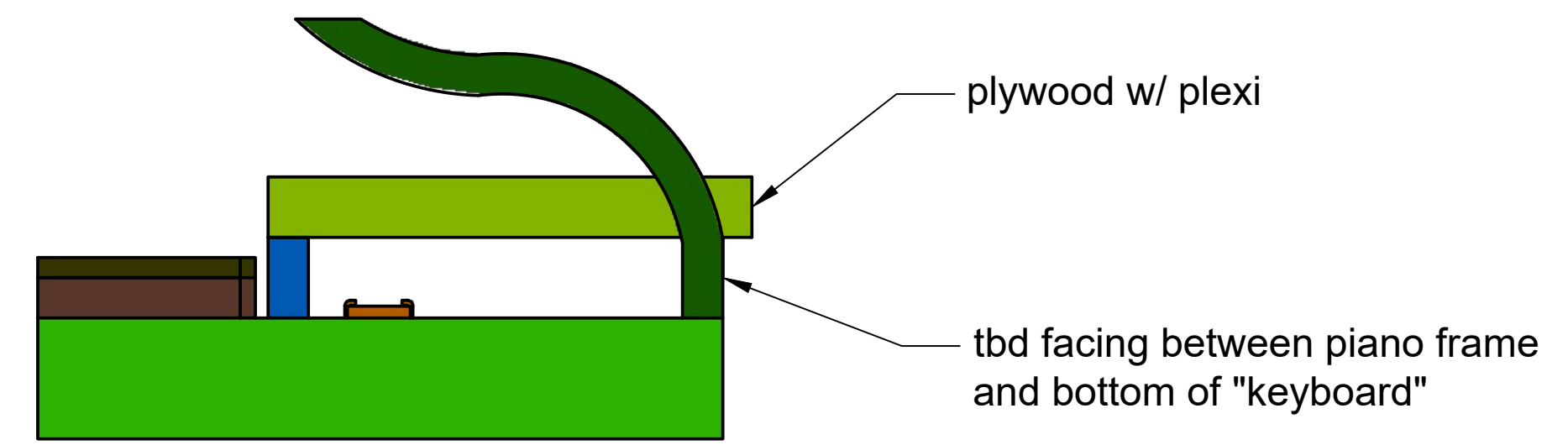
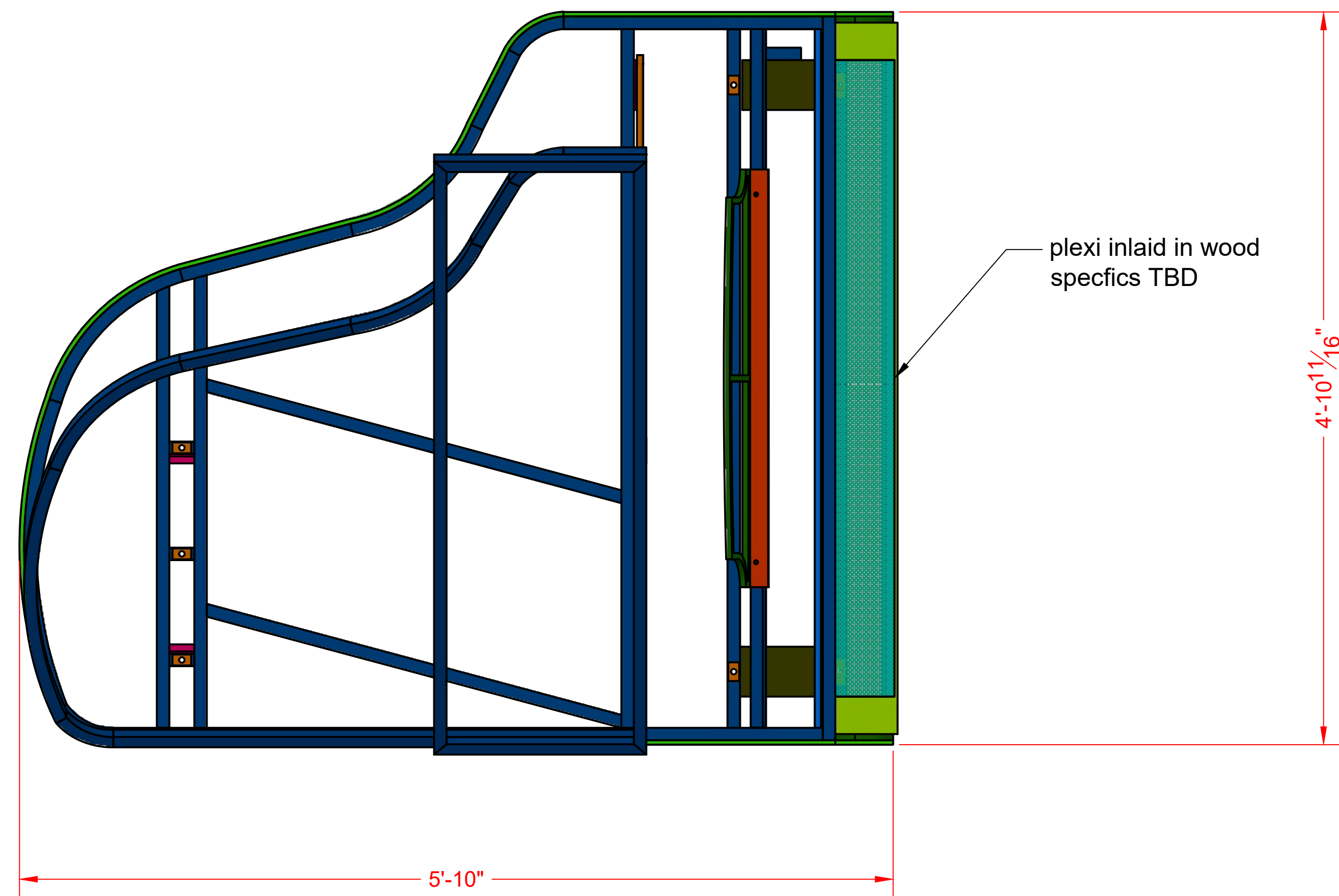
Revision #
0

Drawing #

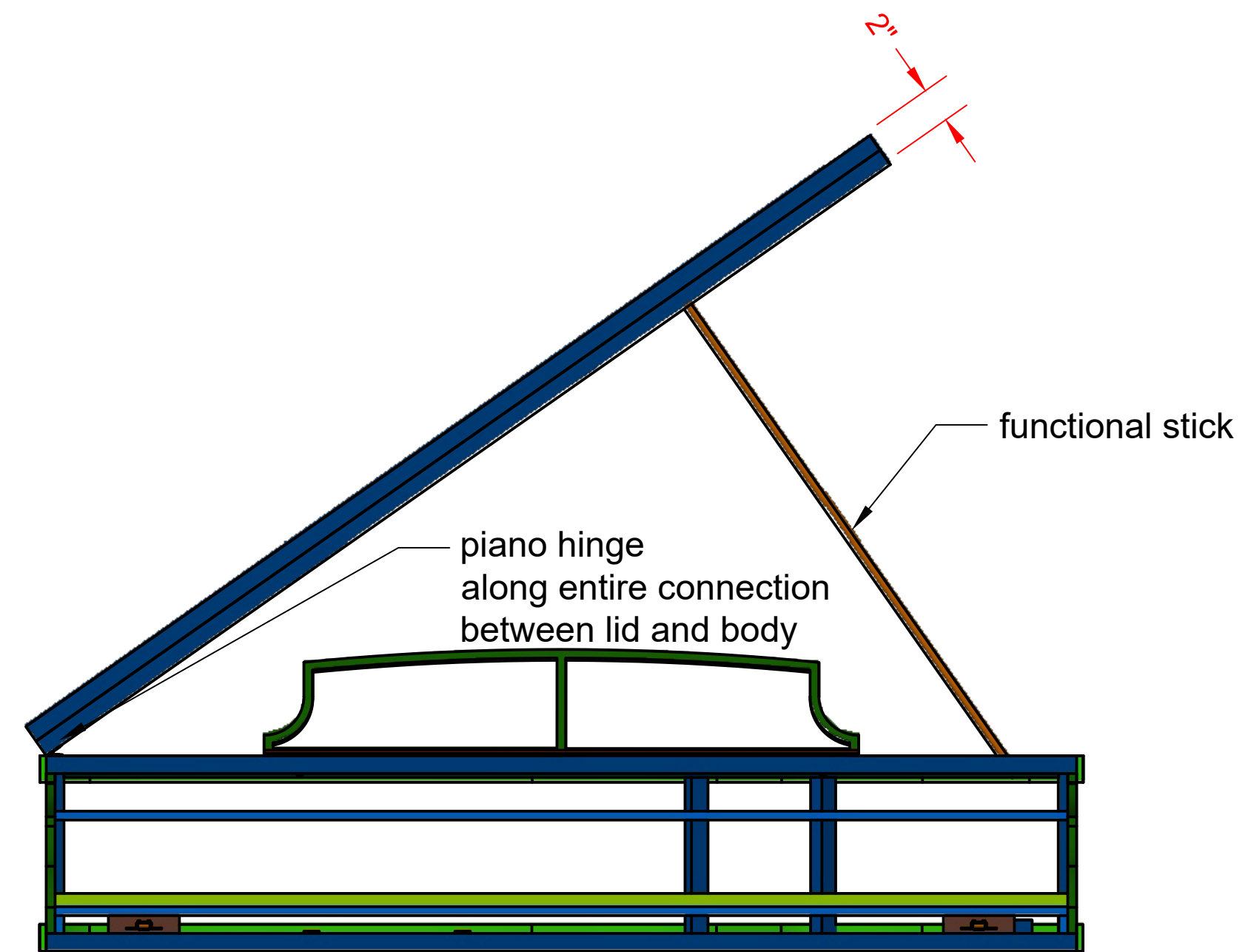
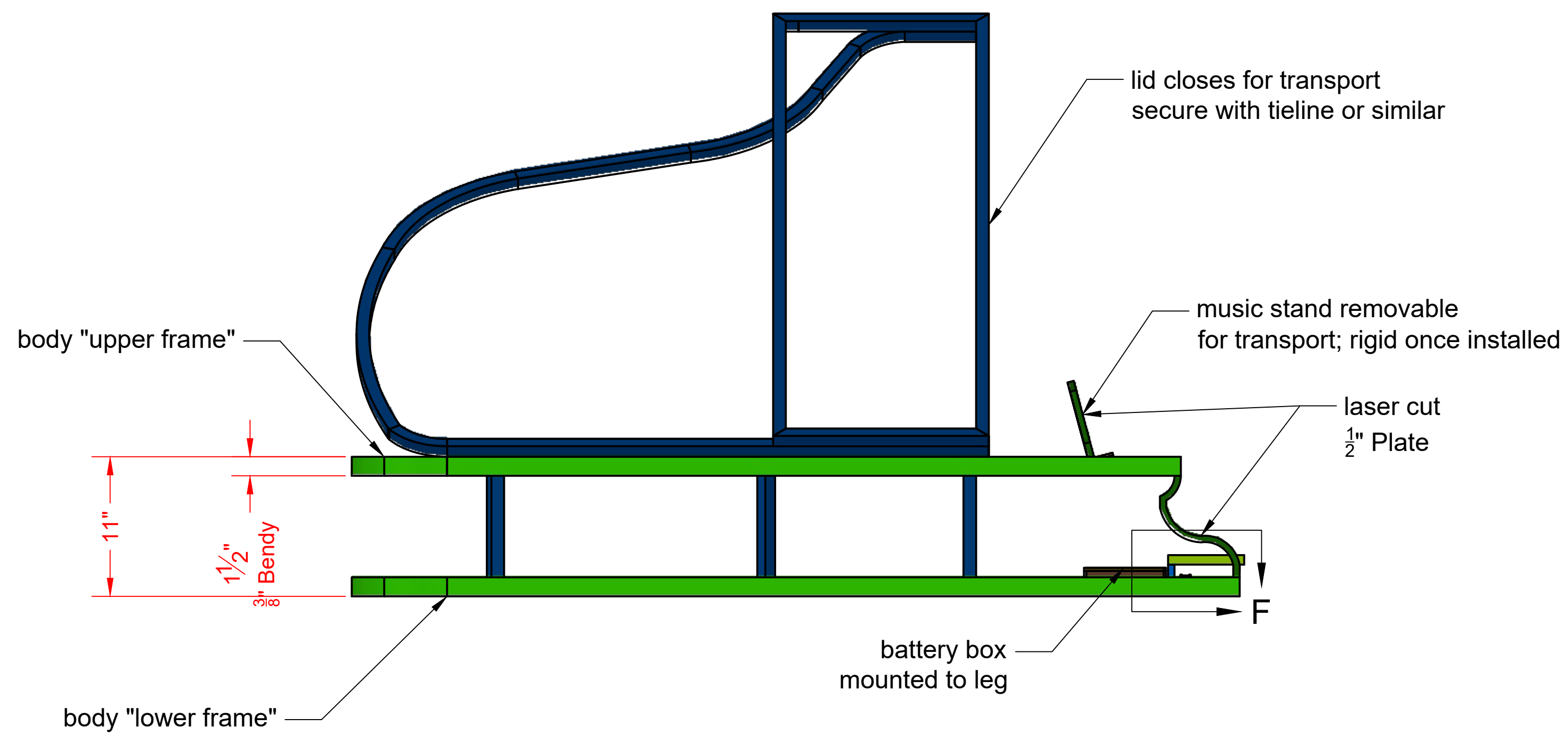
P.5



2 Base Assembly
P.5 Steel as noted 1 1/2" = 1'-0"



DETAIL F
SCALE 6" = 1'-0"



LABEL CODING

PIANO

Date 10.03.25

Drawn jks

Tech Dir. bh

Designer Eli Sherlock

File Name PIANO.DWG

Scale

Production
MY NAME
IS
FLORENCE

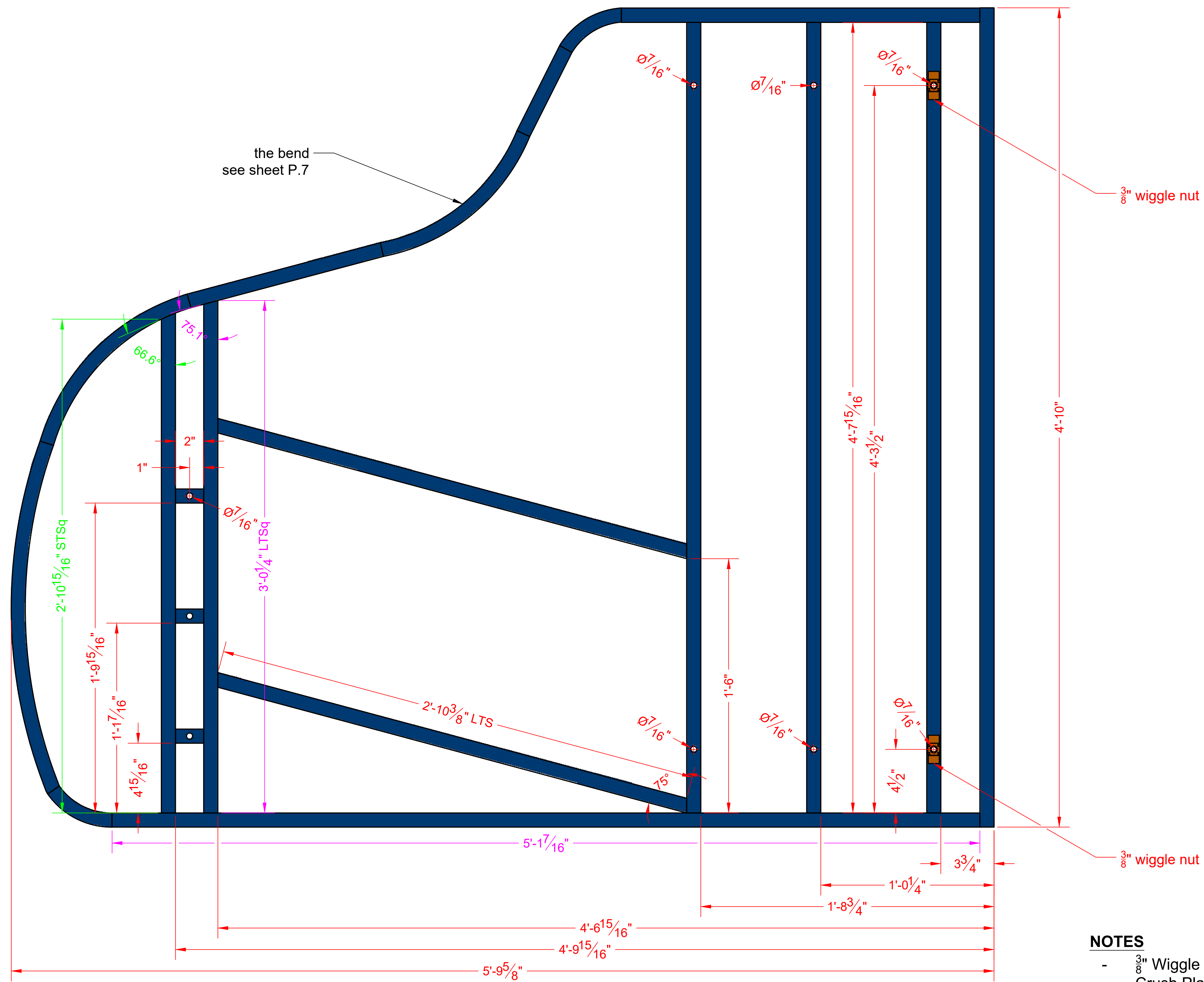
Drawing Title
PIANO
BODY
OVERVIEW

Revision #

0

Drawing #

P.6



- NOTES**
- 3/8" Wiggle Nuts as called out
 - Crush Plates all other holes

LABEL CODING

PIANO

Date 10.03.25

Drawn jks

Tech Dir. bh

Designer Eli Sherlock

File Name PIANO.DWG

Scale

Production

MY NAME
IS
FLORENCE

Drawing Title

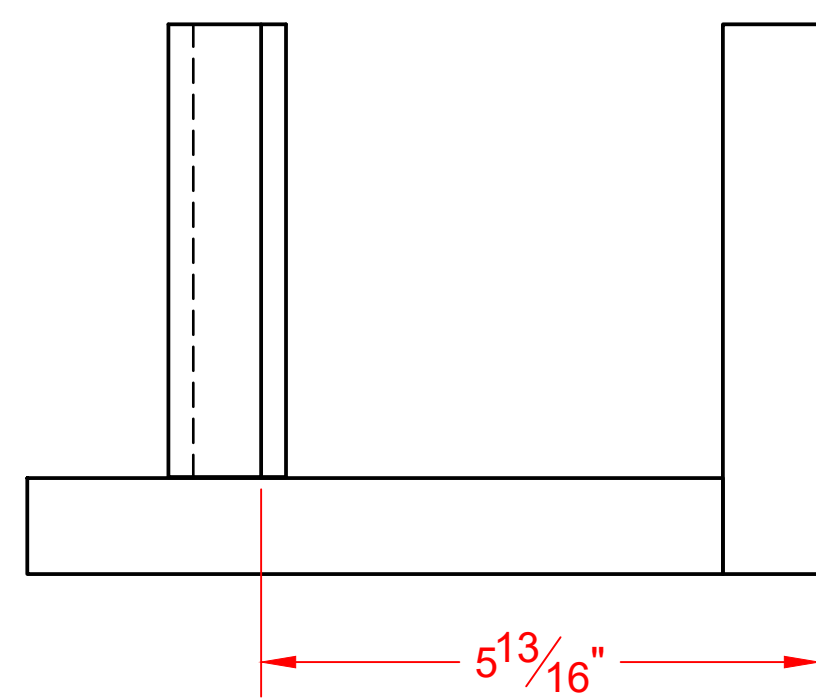
PIANO
BODY
LOWER FRAME

Revision #

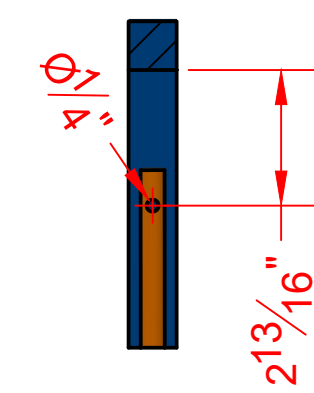
0

Drawing #

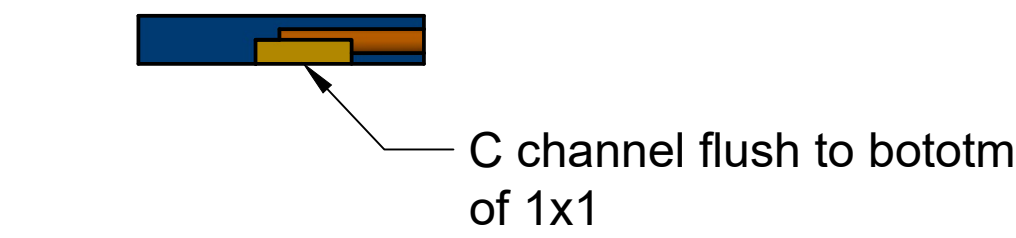
P.8



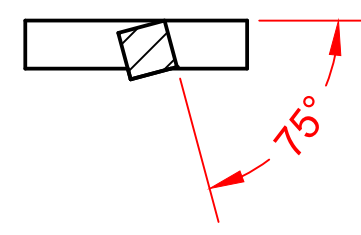
DETAIL H
SCALE 1:2



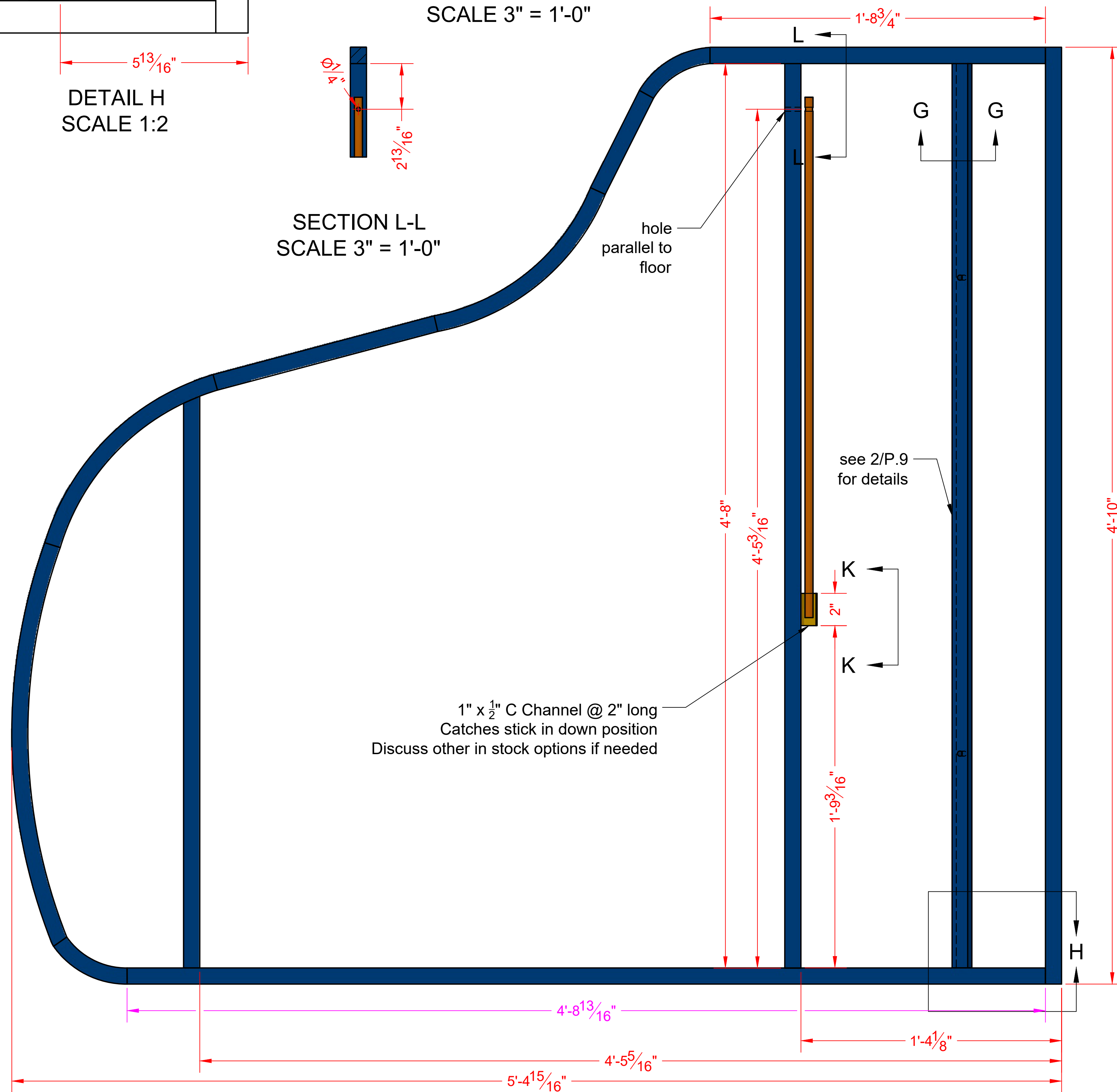
SECTION L-L
SCALE 3" = 1'-0"



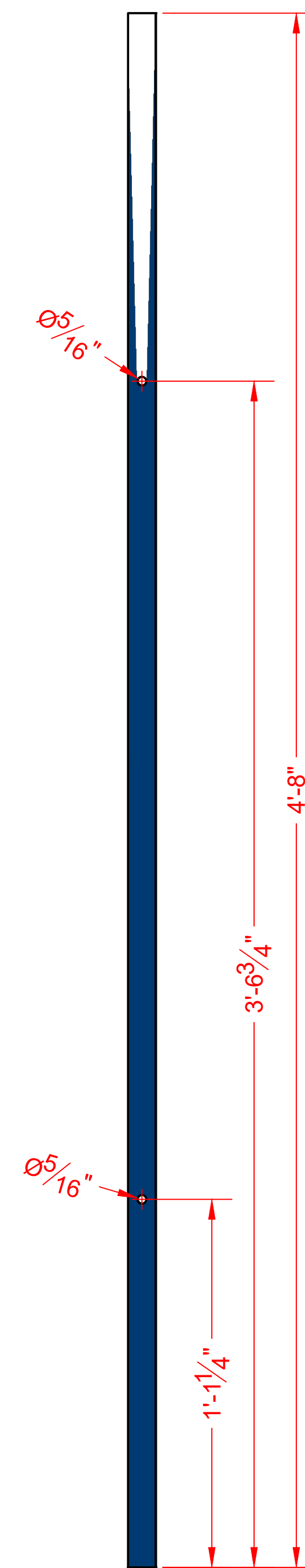
SECTION K-K
SCALE 3" = 1'-0"



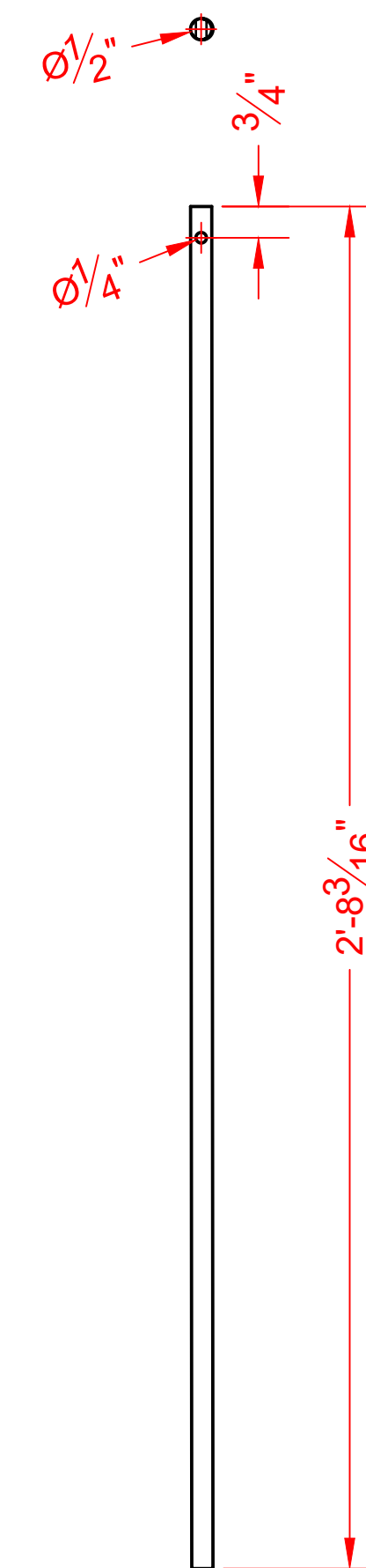
SECTION G-G
SCALE 3" = 1'-0"



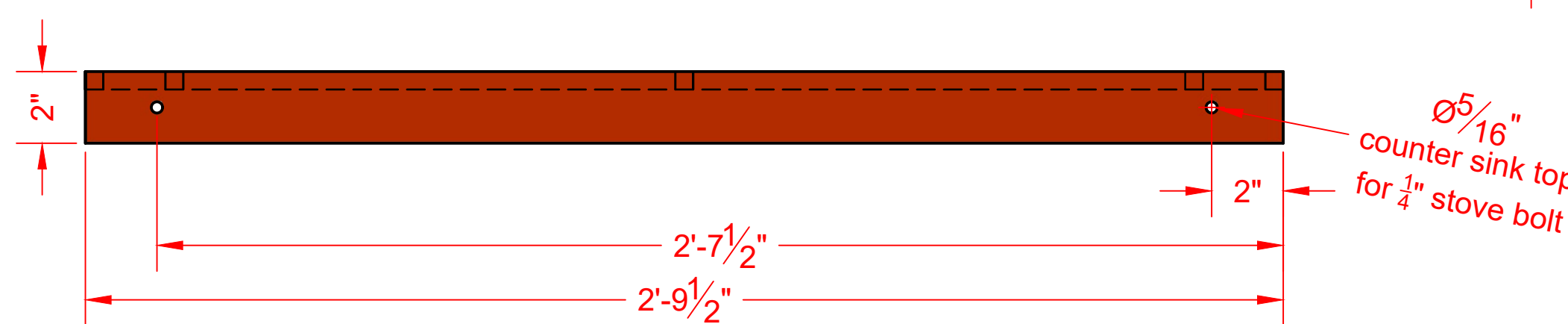
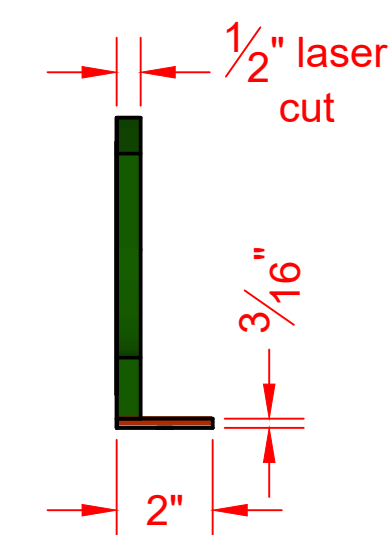
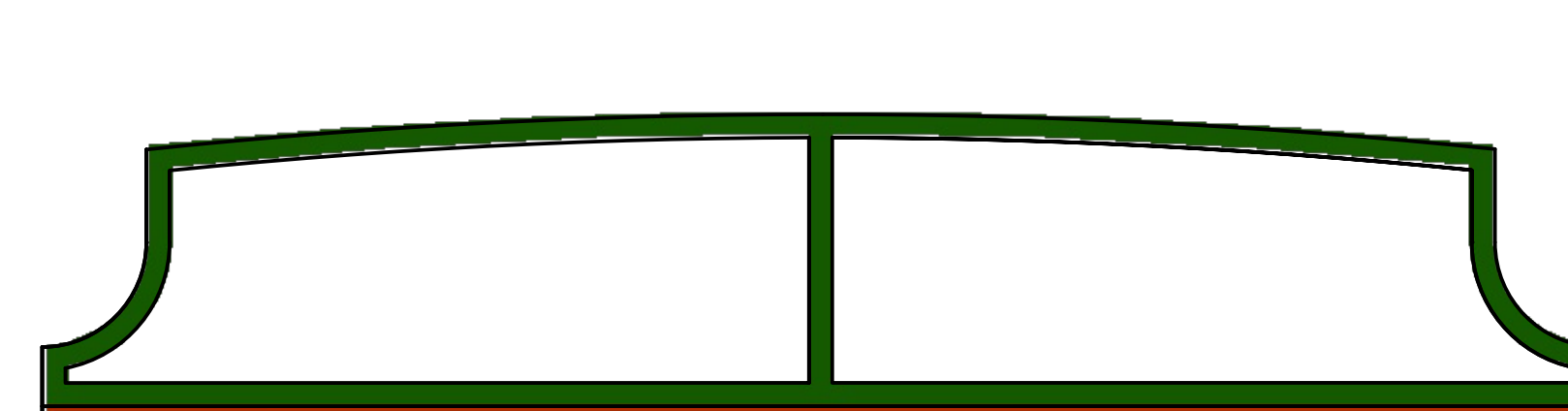
1 Upper Frame
P.9 1x1 16ga MT 3" = 1'-0"



2 Music Stand Bar
P.9 1x1 16ga MT 3" = 1'-0"
Welded in on angle per Section G-G



4 Lid Stick
P.9 1/2" Round Tube 3" = 1'-0"
Discuss hardware and hole sizes for pivot



3 Music Stand
P.9 Laser Cut 1/2" Plate; 3/16" x 2" Flat Bar 3" = 1'-0"
1/4" Hardware



LABEL CODING

PIANO

Date 10.03.25

Drawn jks

Tech Dir. bh

Designer Eli Sherlock

File Name PIANO.DWG

Scale

Production
MY NAME
IS
FLORENCE

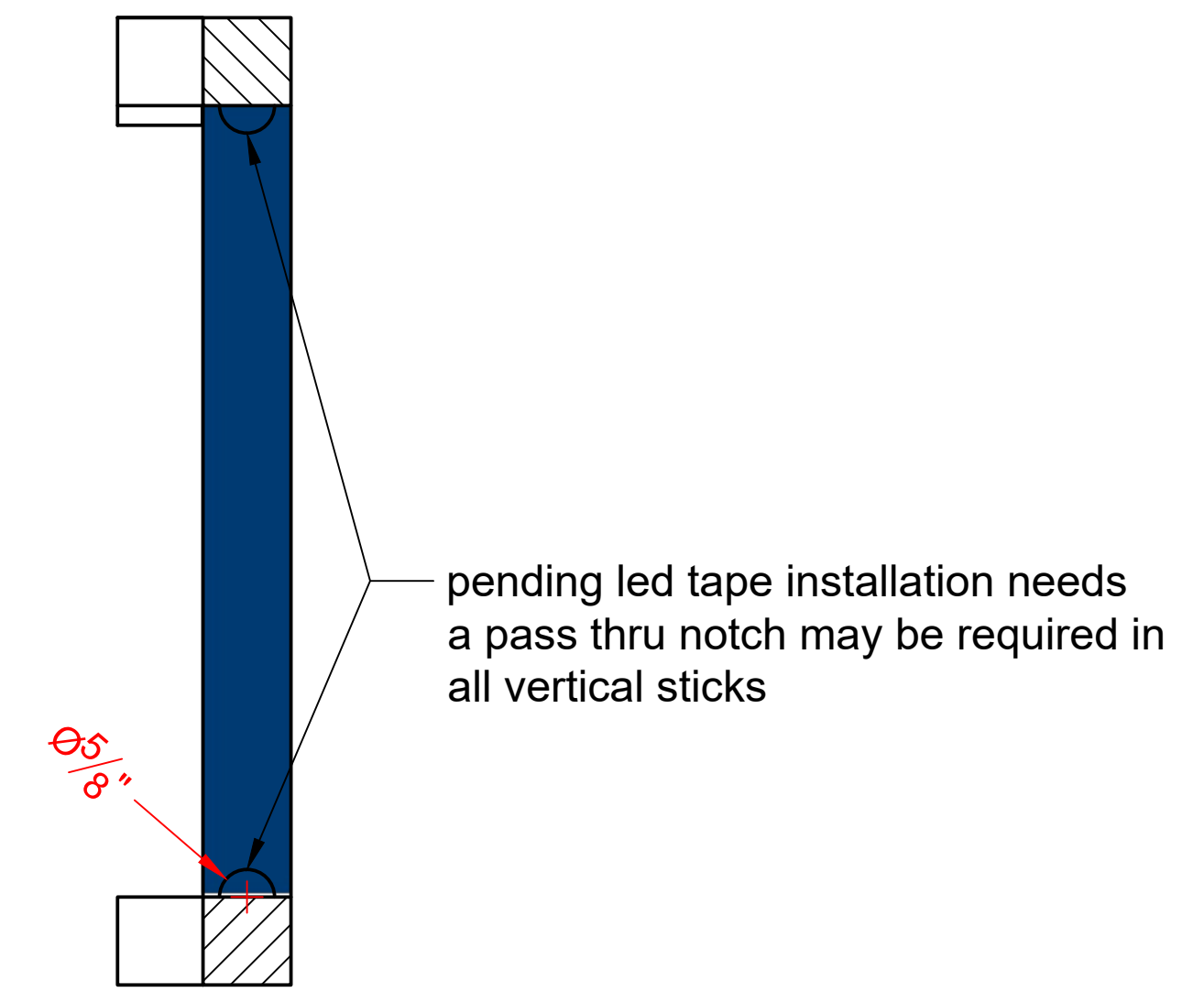
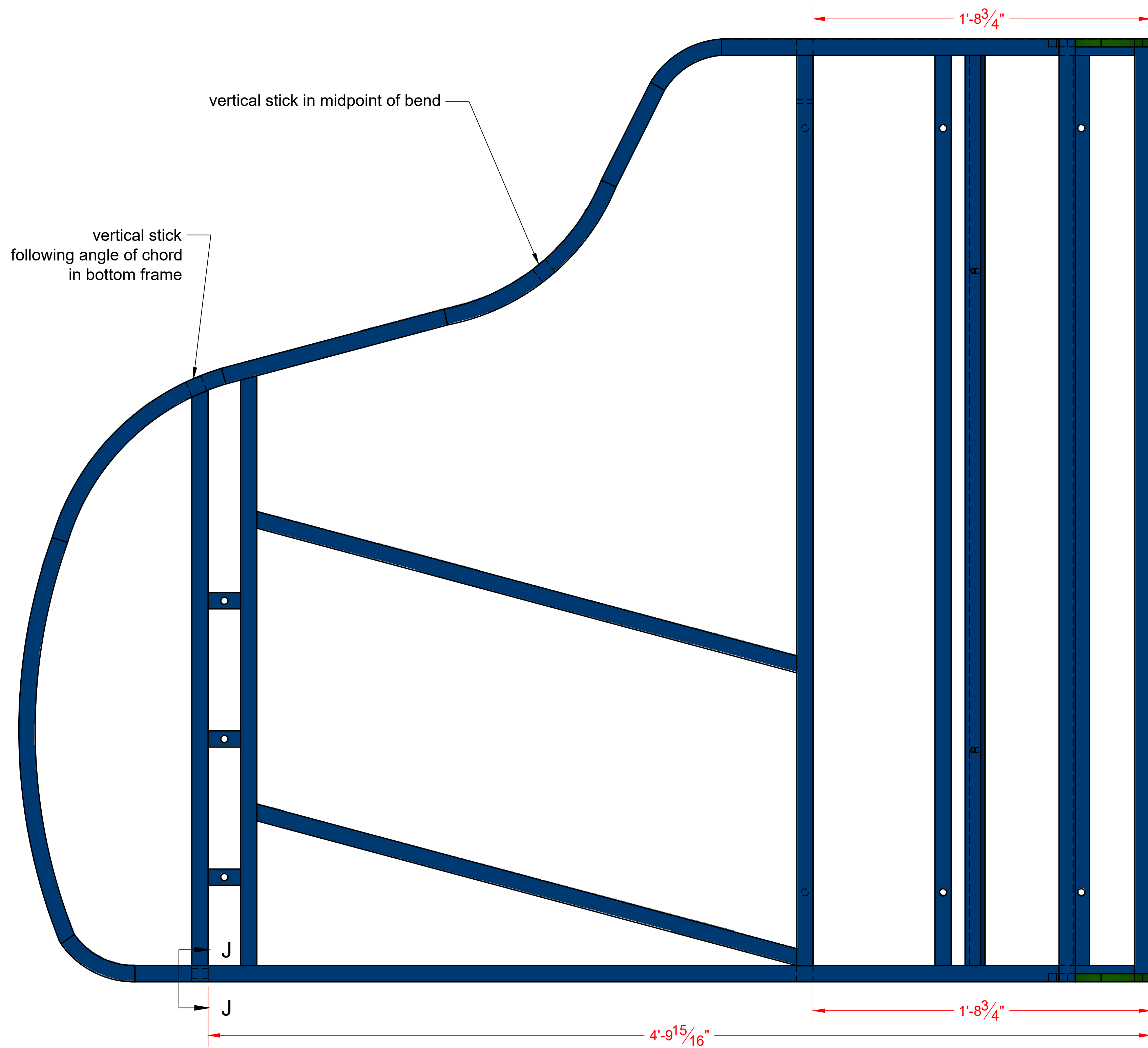
Drawing Title
PIANO
BODY
UPPER FRAME

Revision #

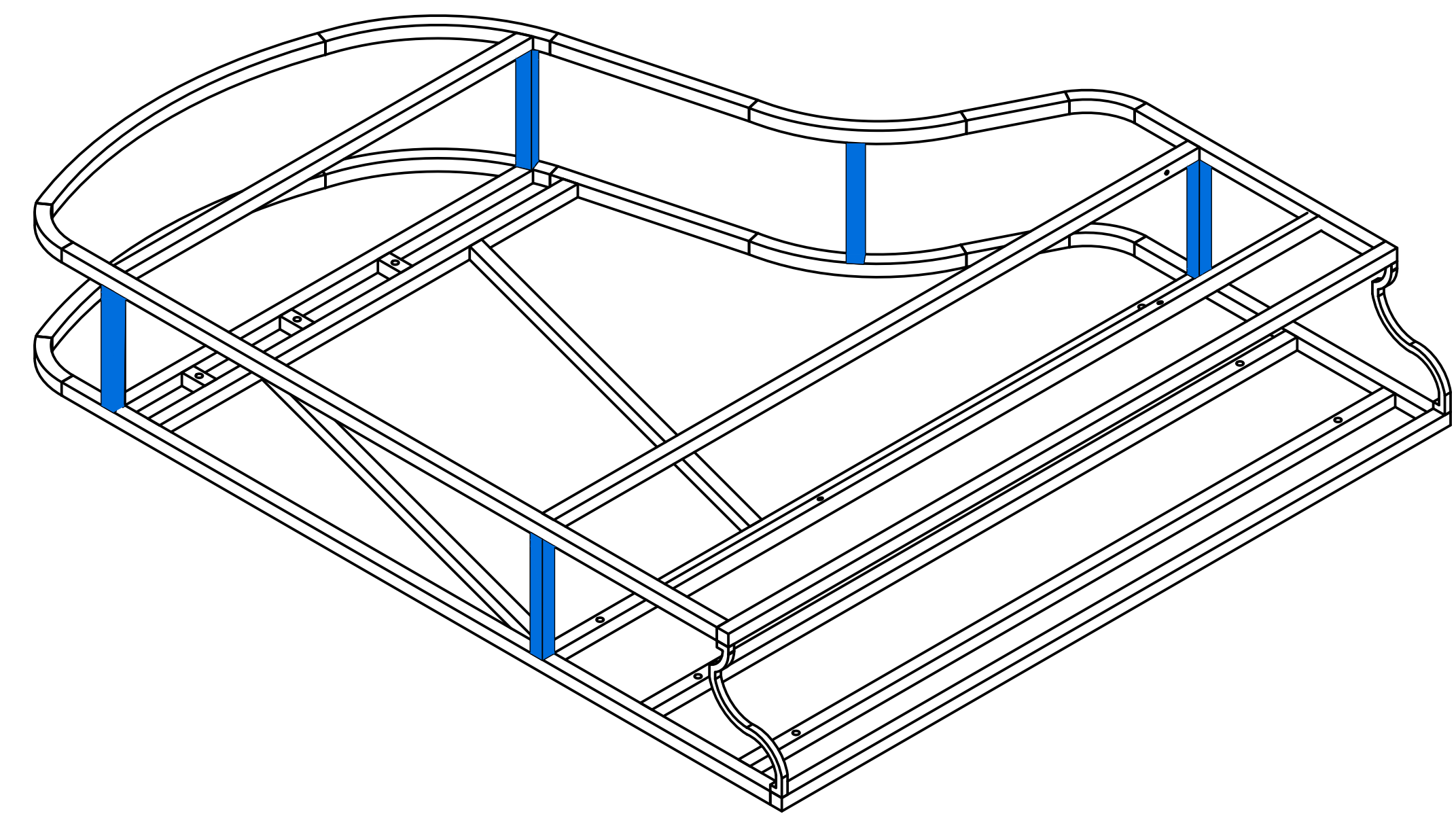
0

Drawing #

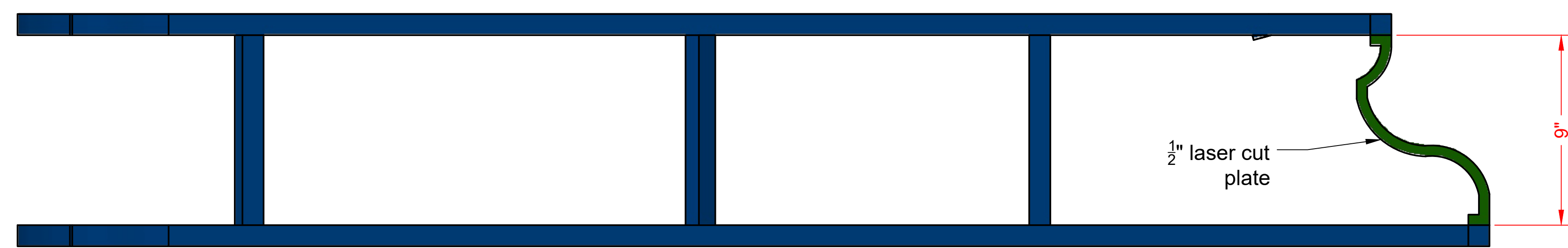
P.9



SECTION J-J
SCALE 6" = 1'-0"



Highlighted sticks are vertical 1x1 MT
Discuss need for more after assembly



LABEL CODING

PIANO

Date 10.03.25

Drawn jks

Tech Dir. bh

Designer Eli Sherlock

File Name PIANO.DWG

Scale

Production
MY NAME
IS
FLORENCE

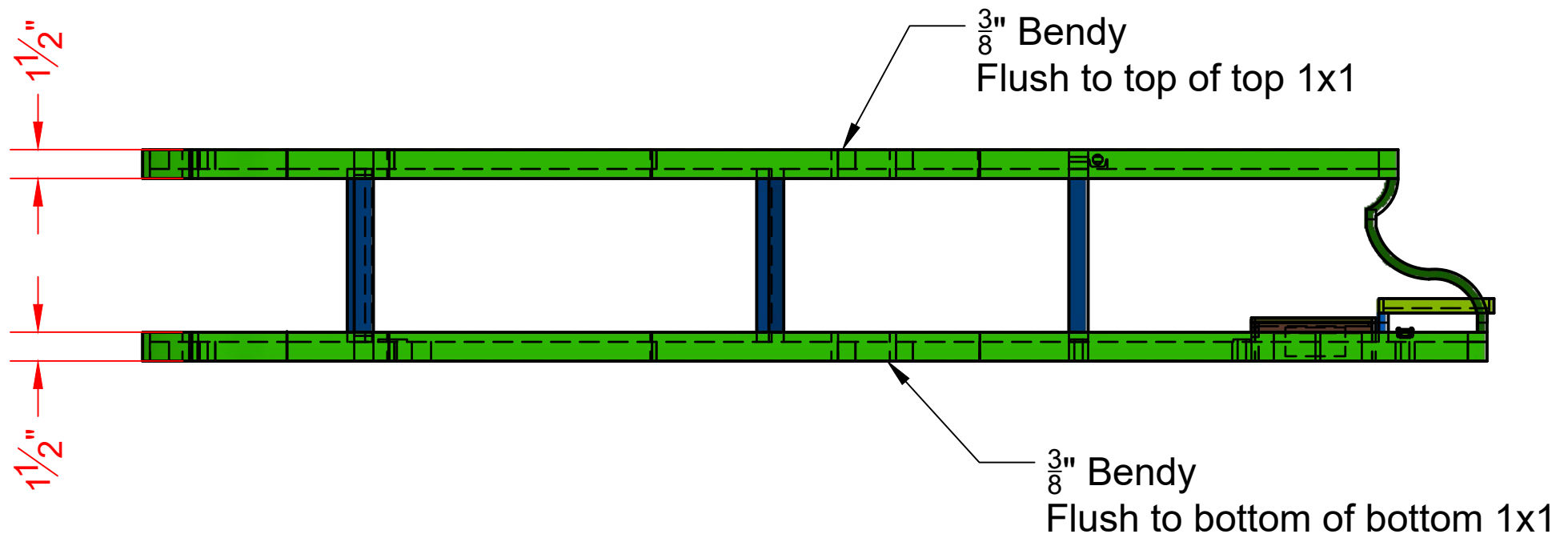
Drawing Title
PIANO
BODY
ASSEMBLY

Revision #

0

Drawing #

P.10



OPERA

My Name Is Florence

Ordway Music Theater

Piano Bendy Facing

Scale:

Date: 10.13.25

File: PIANO.DWG

TD: bh

Dwg By: jks

P.10A



LABEL CODING

PIANO

Date 10.03.25

Drawn jks

Tech Dir. bh

Designer Eli Sherlock

File Name PIANO.DWG

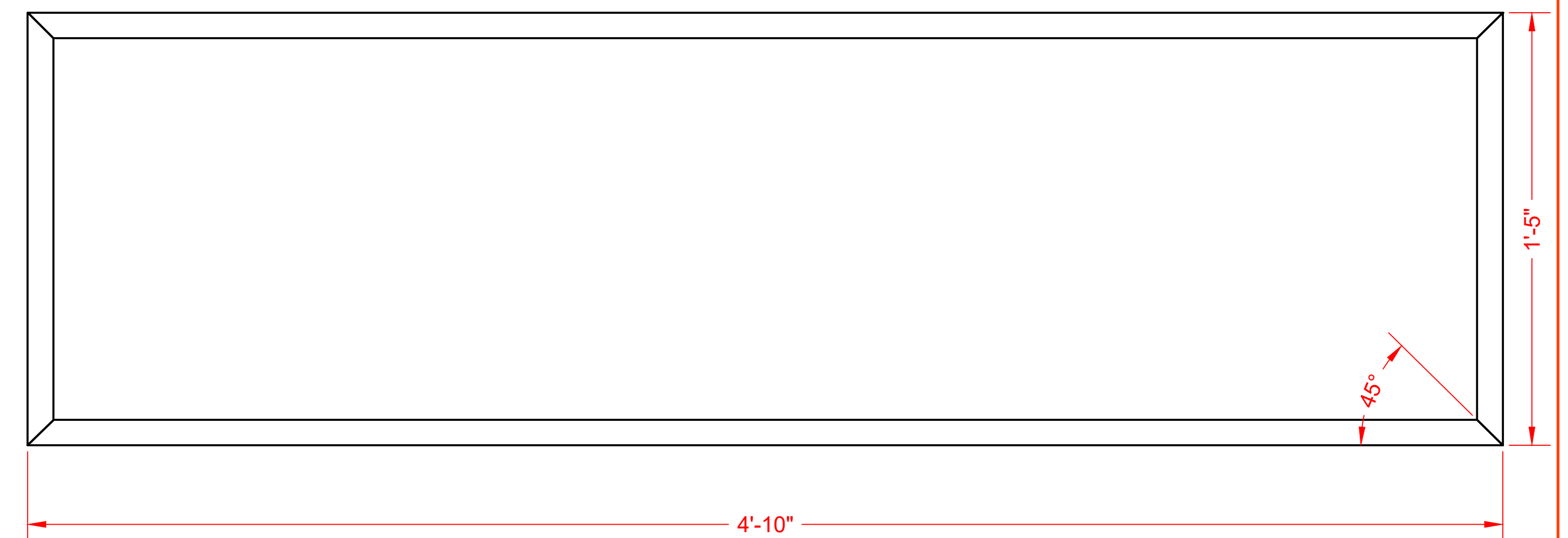
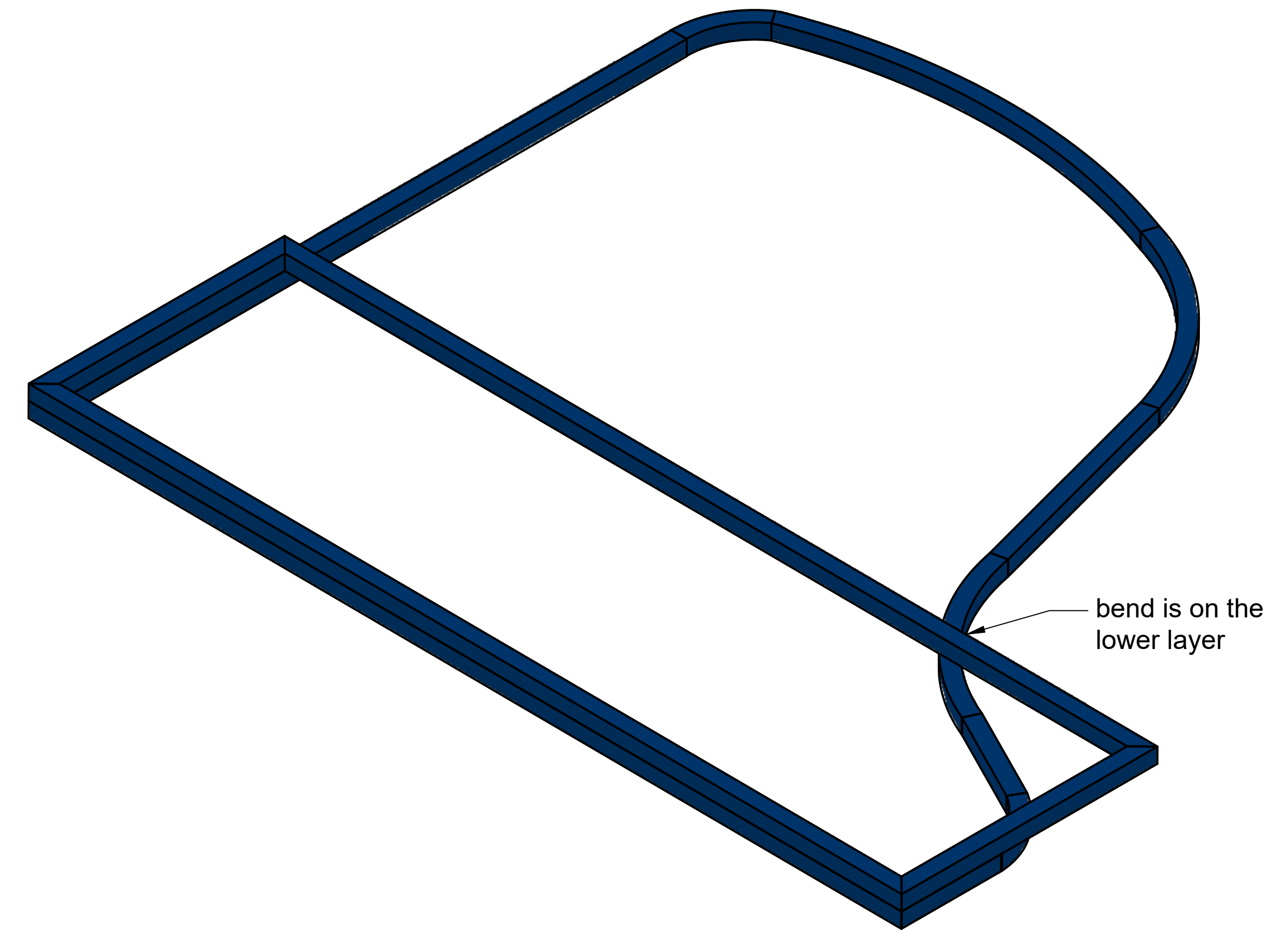
Scale

Production
MY NAME
IS
FLORENCE

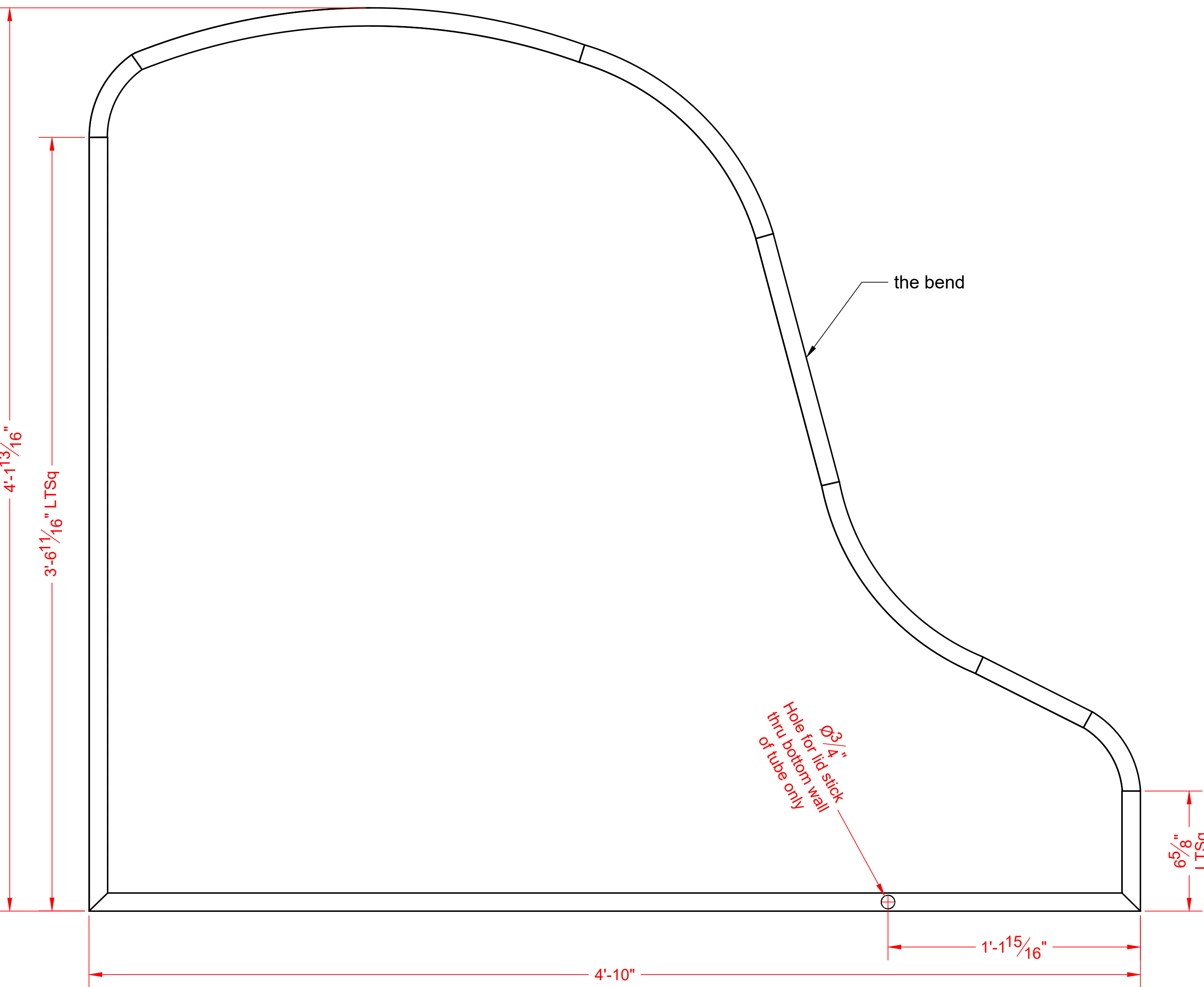
Drawing Title
PIANO
LID

Revision #
0

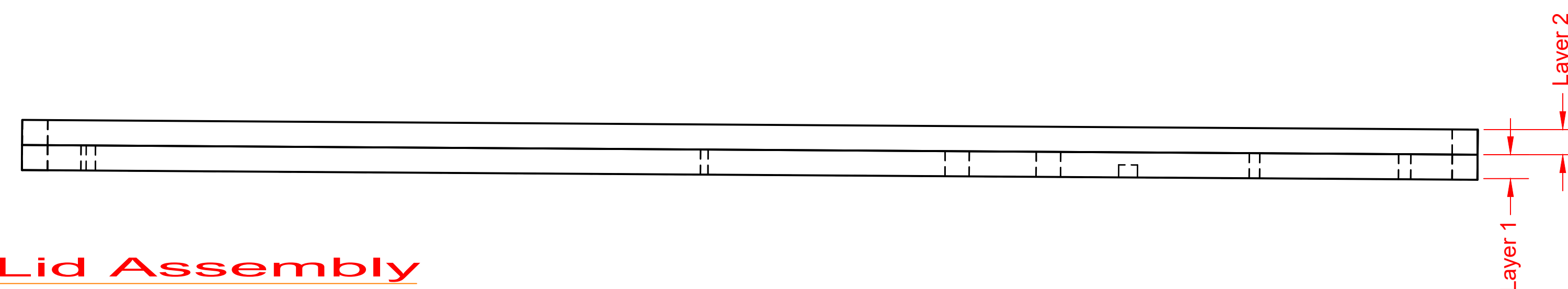
Drawing #
P.11



3 Layer 2
P.11 1x1 mitered corner MT Frame 3"= 1'-0"



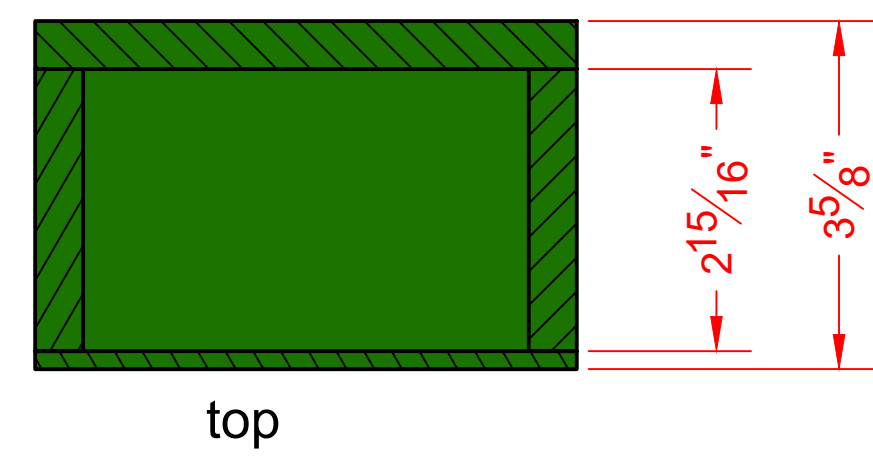
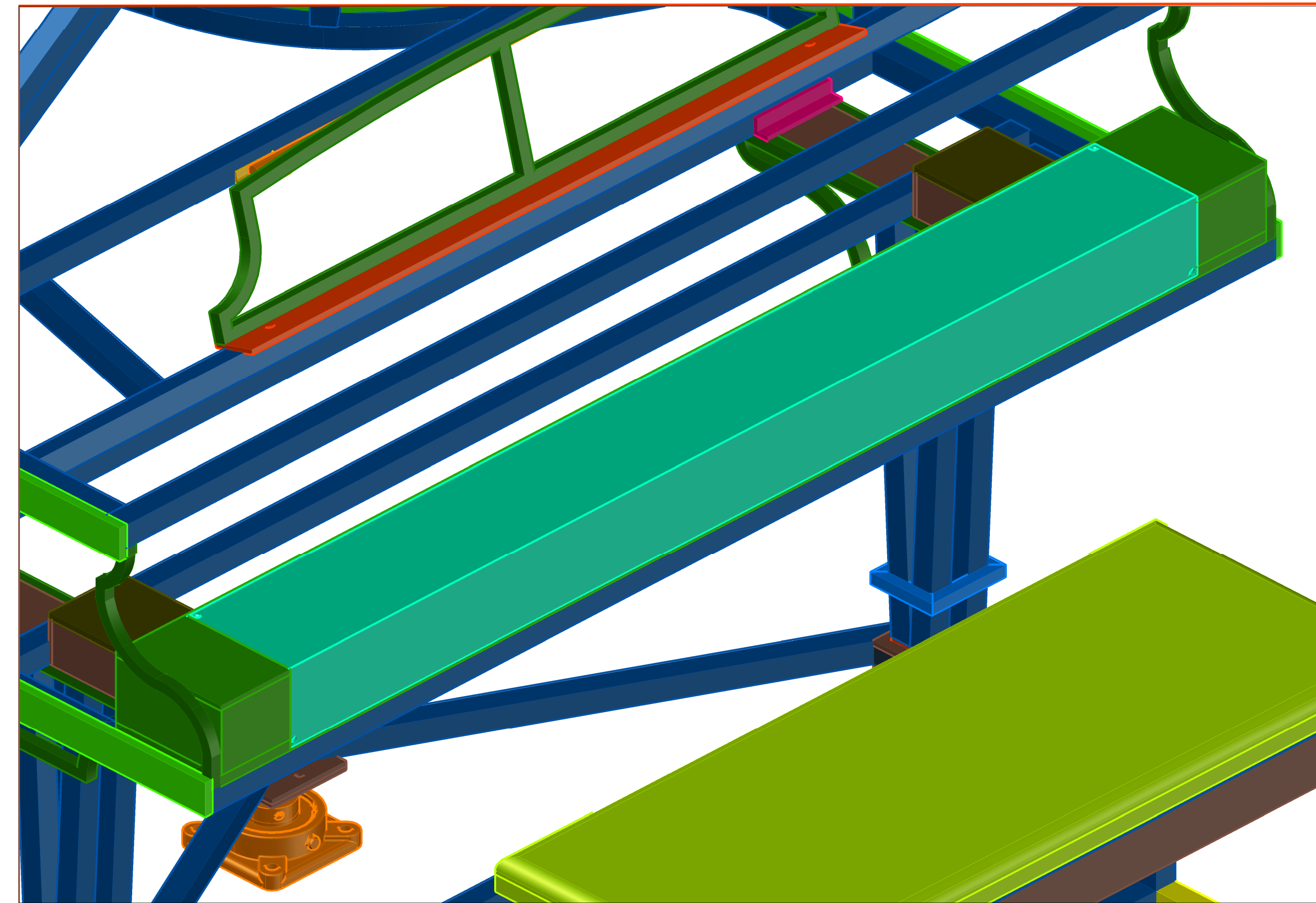
2 Layer 1
P.11 1x1 MT frame w/ "the bend" See P.7 for "the bend" details 3"= 1'-0"



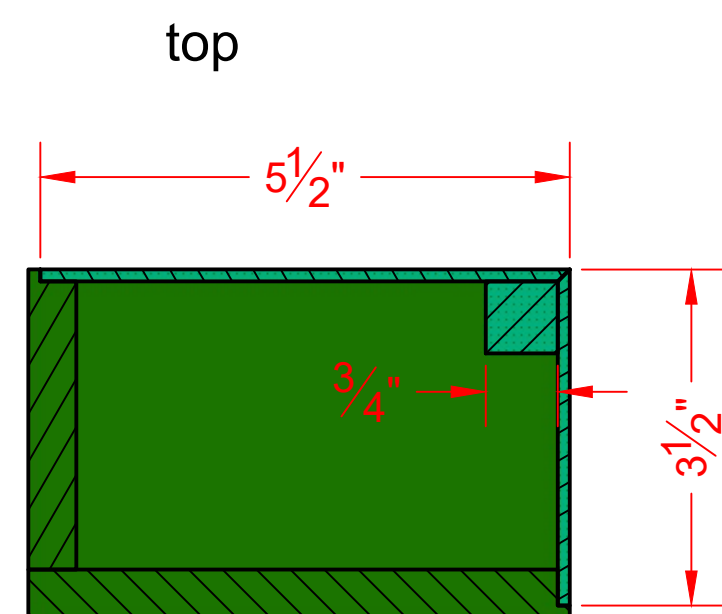
1 Lid Assembly
P.11 2 Layers of 1x1 MT frames stacked and welded 3"= 1'-0"

NOTES

- Build as 2 1x1 MT frames
- Stack aligned to front and weld together

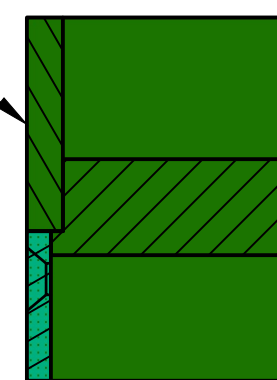


SECTION M-M
SCALE 6" = 1'-0"

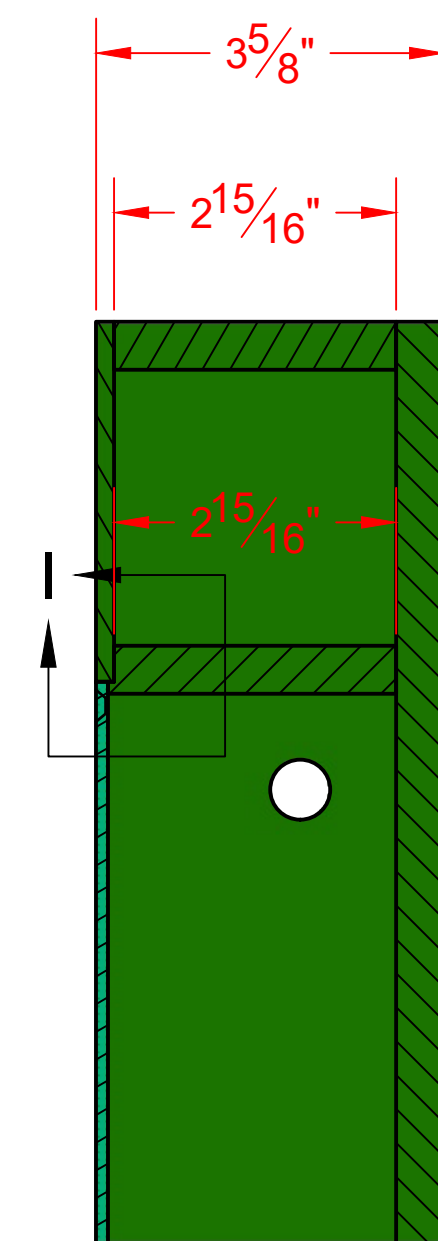


SECTION N-N
SCALE 6" = 1'-0"

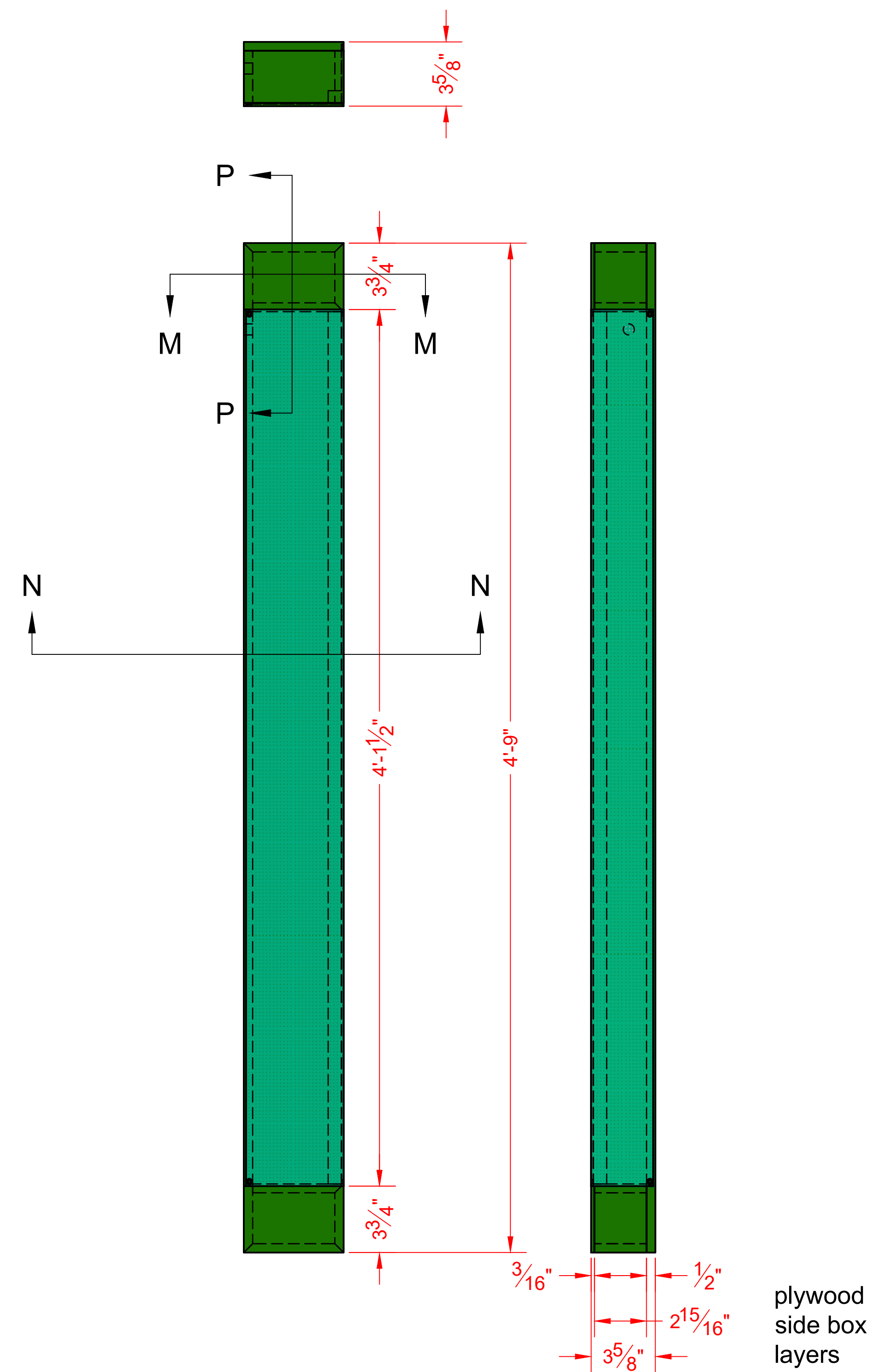
$\frac{1}{8}$ " instead of rev ply
to eliminate funky fun times



DETAIL I
SCALE 1'-0" = 1'-0"



SECTION P-P
SCALE 6" = 1'-0"



LABEL CODING

PIANO

Date 10.27.25

Drawn jks

Tech Dir. bh

Designer Eli Sherlock

File Name PIANO.DWG

Scale

Production
MY NAME
IS
FLORENCE

Drawing Title
PIANO
KEYBOARD
BOX

Revision #

0

Drawing #

P.12